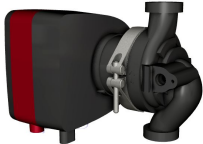
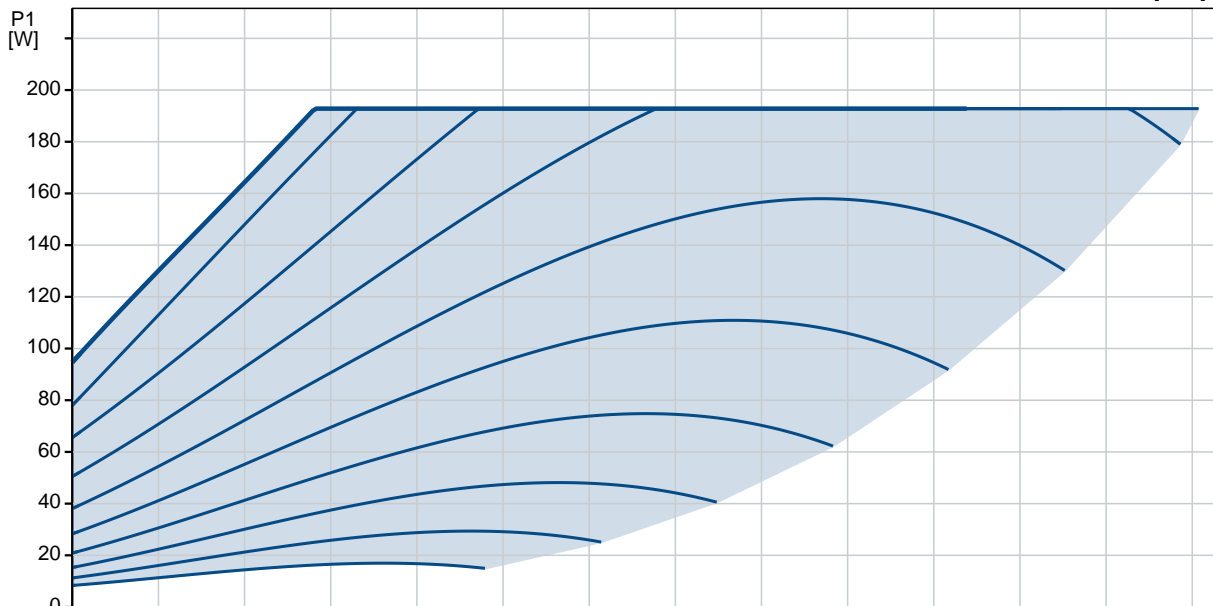
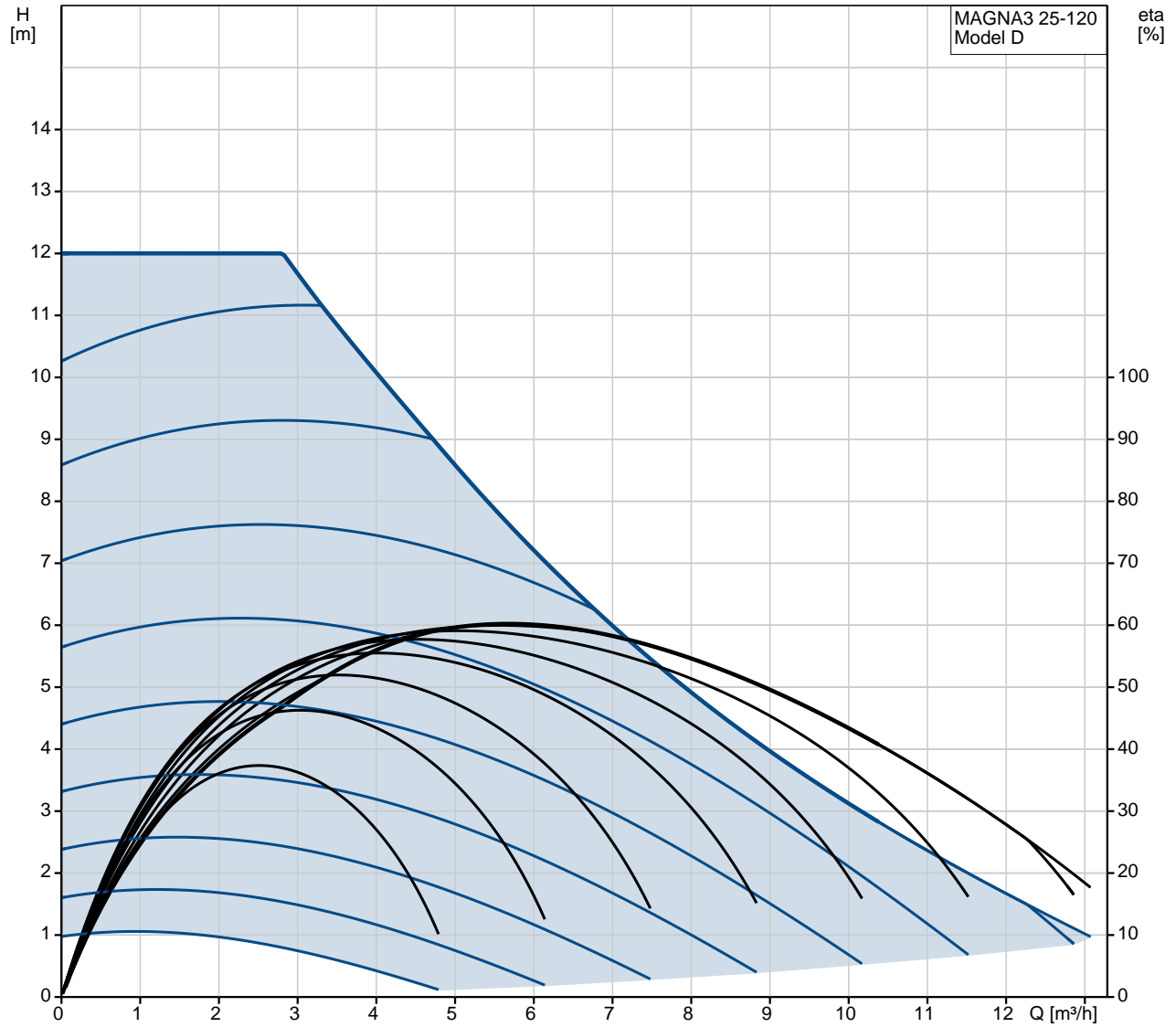


| Pozi ie | Cant. | Descriere |
|---------|-------|---|
| | 1 | <p>MAGNA3 25-120</p>  <p>Nr. Produs: 97924248</p> <p>MAGNA3 – More than a pump With its unrivalled efficiency, all-encompassing range and built-in communication capabilities plus functionalities replacing system components, the MAGNA3 is ideal for engineers and specifiers looking to create high-performance systems for buildings.</p> <p>This pump in the Grundfos Master Class will fit both heating and cooling applications perfectly, making it the obvious choice for almost any building project – old or new.</p> <p>The MAGNA3 is of the canned-rotor type, i.e. pump and motor form an integral unit without shaft seal and with only two gaskets for sealing. The bearings are lubricated by the pumped liquid. The innovative clamp with only one screw enables easy repositioning of the pump head. The MAGNA3 is a pump with no maintenance requirements and with extremely low Life Cycle Cost.</p> <p>The pump is characterised by the following:</p> <ul style="list-style-type: none"> • controller integrated in the control box • control panel with TFT display on the control box • control box prepared for optional CIM modules • built-in differential-pressure and temperature sensor • cast-iron pump housing (depending on model) • carbon-fibre-reinforced composite rotor can • stainless-steel bearing plate and rotor cladding • aluminium alloy stator housing • air-cooled power electronics <p>The MAGNA3 is a single-phase pump.</p> <p>Characteristic features</p> <ul style="list-style-type: none"> • AUTOADAPT. • FLOWADAPT and FLOWLIMIT (more than a pump function as it reduces the need for pump throttling valves). • Proportional-pressure control. • Constant-pressure control. • Constant-temperature control. • Constant-curve duty. • Max. or min. curve duty. • Automatic Night Setback. • No external motor protection required. • Insulating shells supplied with single-head pumps for heating systems. • Large temperature range where the liquid temperature and the ambient temperature are independent of each other. <p>Communication The MAGNA3 enables communication via the following:</p> <ul style="list-style-type: none"> • wireless Grundfos GO Remote • fieldbus communication via CIM modules • digital inputs • relay outputs • analog input (more than a pump function as heat energy meter) |

97924248 MAGNA3 25-120



| Descriere | Valori i tipuri |
|-----------|-----------------|
|-----------|-----------------|

Informa ii generale:

Nume produs:: MAGNA3 25-120
 Nr. produs:: 97924248
 Numărul EAN:: 5710626493234

Technical:

În l ime de pompare max.: 120 dm
 Clasa TF: 110
 Aprob ri pe etichet : CE,VDE,EAC,CN ROHS
 Model: D

Materials:

Corpul pompei (stator): Font
 EN-GJL-200
 ASTM A48-200B
 Rotor: PES 30%GF

Instala ie:

Gama temperaturii ambientale: 0 .. 40 °C
 Presiune de func ionare maxim : 10 bar
 Racordarea pompei la instala ie: G 1 1/2"
 Presiune maxim de func ionare: PN10
 Distan a dintre porturi: 180 mm

Liquid:

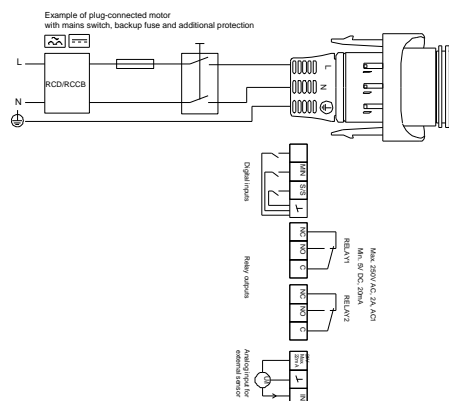
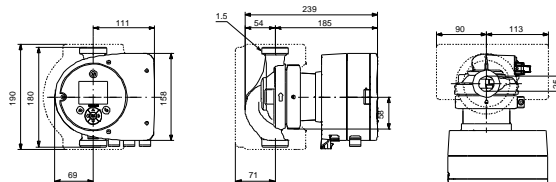
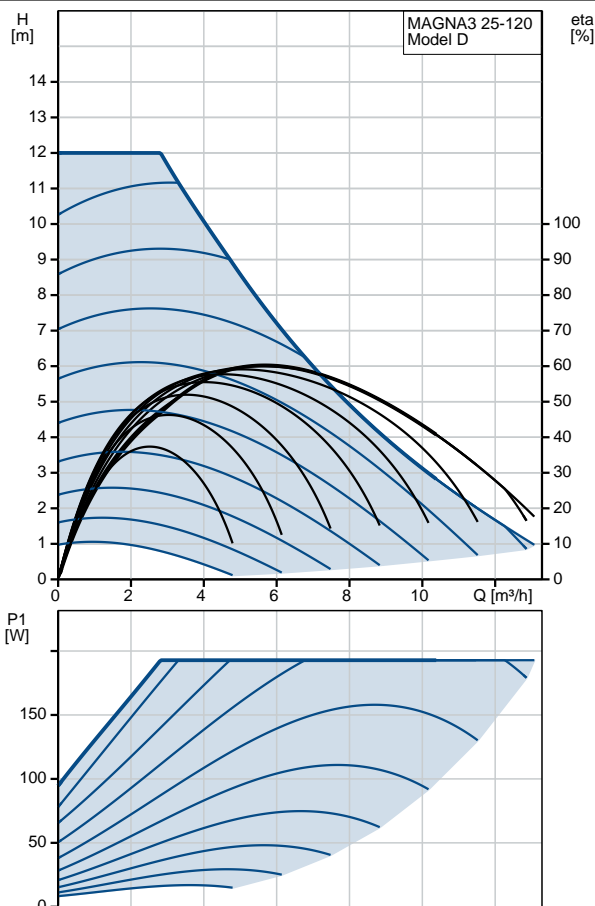
Lichide pompate: Ap
 Gama temperaturii lichidului: -10 .. 110 °C
 Liquid temperature during operation: 60 °C
 Densitate: 983.2 kg/m³

Electrical data:

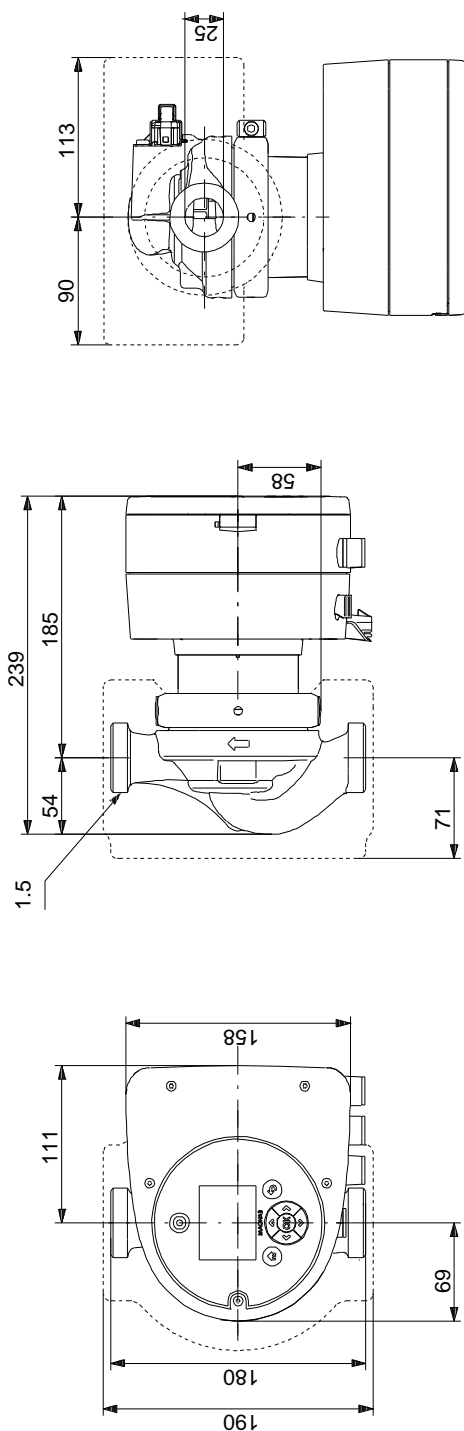
Power input - P1: 9 .. 193 W
 Frecven a re elei electrice: 50 / 60 Hz
 Tensiune nominal : 1 x 230 V
 Curent consumat maxim: 0.09 .. 1.56 A
 Grad de protec ie (IEC 34-5): X4D
 Clas de izolare (IEC 85): F

Others:

Energy (EEI): 0.18
 Greutate net : 4.81 kg
 Greutate brut : 5.27 kg
 Shipping volume: 0.015 m³
 Danish VVS No.: VVS NO 380790120
 Swedish RSK No.: RSK NO 5732576
 Finnish: LVI NO 4615101
 Norwegian NRF no.: NRF NO 9042329

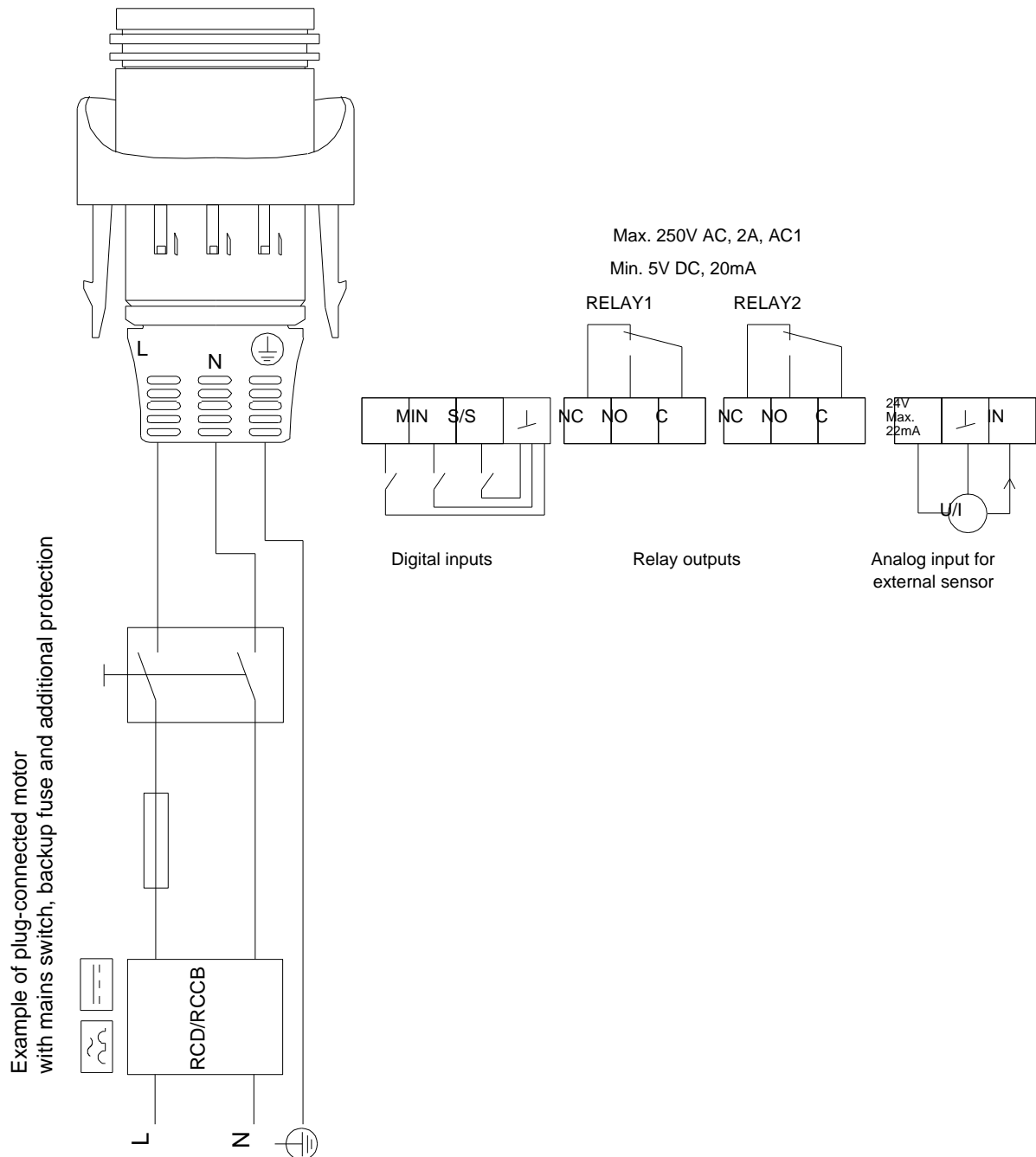


97924248 MAGNA3 25-120



Note! All units are in [mm] unless others are stated.
Disclaimer: This simplified dimensional drawing does not show all details.

97924248 MAGNA3 25-120



Example of plug-connected motor with mains switch, backup fuse and additional protection

Not ! Toate unit ile sunt în [mm] dac nu altele sunt condi iile.