

**Buffer tank for solar
and heating
(Operating pressure 4 bar)**

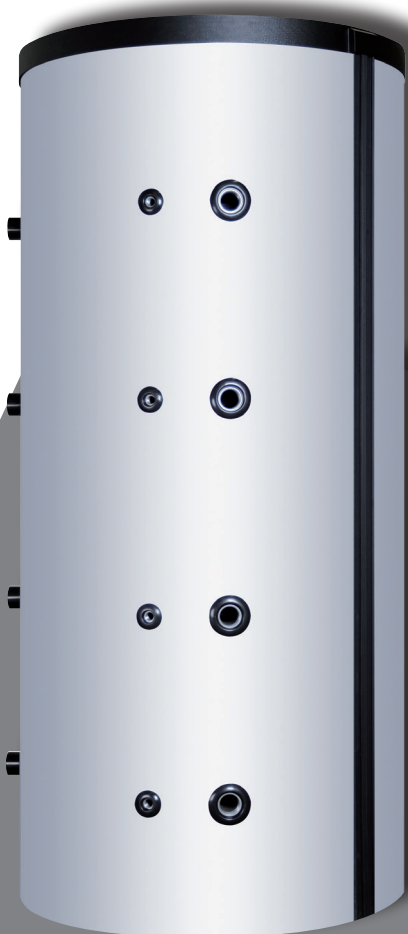
PSM / PSF /
PSR / PSRR
PZ / PZR /
PZRR

200 – 5.000 LITRE

“

**The perfect fit prevents chimney losses
and saves energy costs!**

”



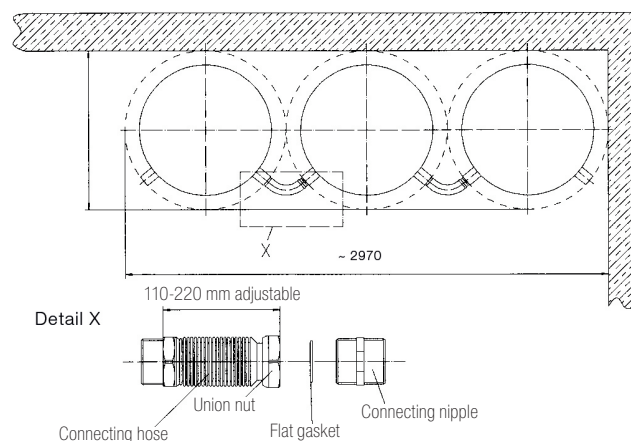
TECHNICAL DATA

- Operating pressure:
 - 4 bar in the buffer tank
 - 10 in the pipe register (PSR/PSRR und PZR/PZRR)
- Test pressure:
 - 6 bar in the buffer tank
 - 15 bar in the pipe register (PSR/PSRR und PZR/PZRR)
- Content:
 - PSF/PSM/PSR/PSRR 200 L to 5.000 L
 - PZ/PZR/PZRR von 500 L bis 1.500 L
- 100 mm ECO SKIN insulation
- Made of quality steel St 37-2
- Large-surface pipe registers on PSR/PSRR and PZR/PZRR types
- 240 mm flange on PSF types for the installation of a finned tube heat exchanger or a built-in heater
- 9 connection threads 6/4" IT (internal thread) 2" connections from 3,000 to 5,000 litres
- Special version: PSM/PSR 800 and 1,000 litres with 2" connections and PSM/PSR 1,500 and 2,000 litres with 2 1/2" connections
- 4 control socket threads 1/2" IT (internal thread) for PSF/PSM and PSR/PSRR types
- 2 sensor channels for variable positioning of the sensors for PZ/PZR and PZRR types
- Operating temperature 95 °C, 110 °C in the pipe register
- Powder coating outside (colour variations) up to 2,000 litres
- Rust-proof coating outside (from 3,000 litres)

ZUBEHÖR

- Rippenrohr-Wärmetauscher RWT2-180 (1,8 m²)
- Rippenrohr-Wärmetauscher RWT2-230 (2,3 m²)
- Rippenrohr-Wärmetauscher RWT2-360 (3,6 m²)
- Rippenrohr-Wärmetauscher RWT2-450 (4,5 m²)
- Einbauheizung RSW 2-9 U
- Einbauheizung RSW 2-24 U
- Einbauheizung RSW 2-45 U
- Einschraubheizkörper der Typenreihe „SH“ (2,0-9,0 kW außer PSRR 1000, 1500, 2000 und PZRR 1000 und 1500)
- Edelstahl-Verbindungswellschlauch für PS-Verbindungen
- Isolierrohr-Verschraubung

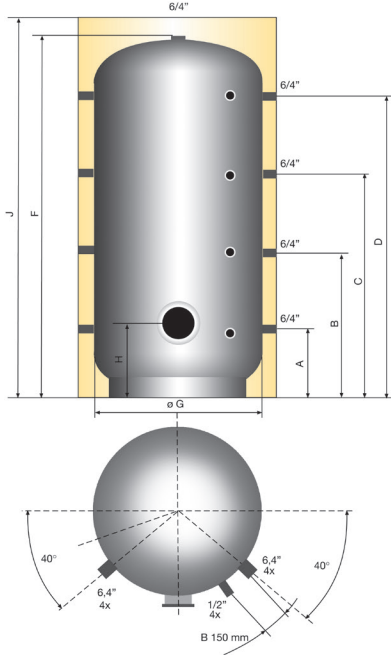
INSTALLATION EXAMPLE PUFFER BATTERY 3 X 1000



Continued on next page →

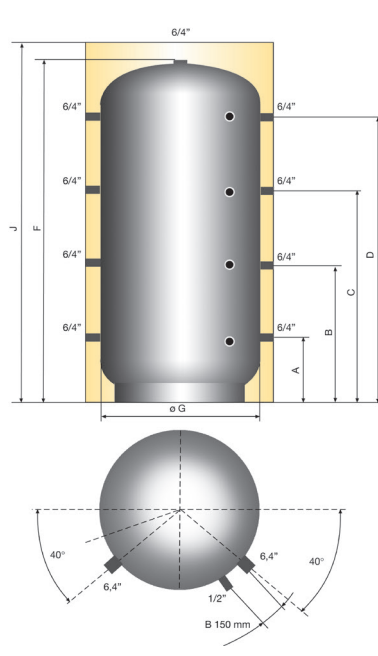
PSF

BUFFER TANK PSM
WITH FLANGE D 240



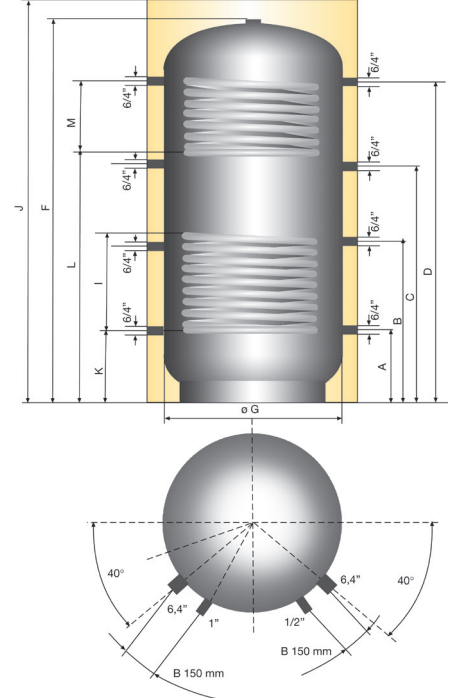
PSM

BUFFER TANK WITH 6/4" CONNECTION SLEEVES



PSR / PSRR

BUFFER TANK PSM
WITH TUBULAR HEAT EXCHANGER

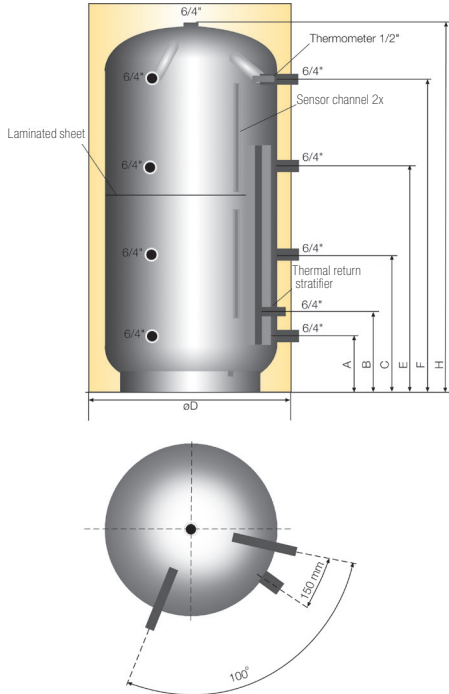


TECHNICAL DATA

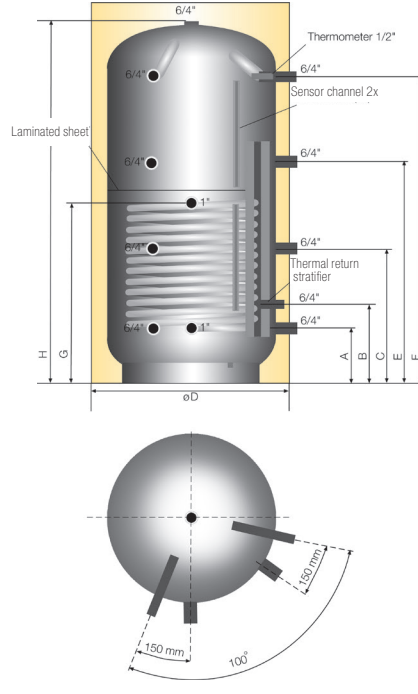
Type	Article.no.	Dimensions in mm											Heat-exchanger-surface in m ²		Heat-exchanger-surface in l		ETF in mm (PSF)	Tilt dimension in mm	Weight in kg	
		A	B	C	D	F	Gø	H	I	J	K	L	M	below	top	below				top
PSM 200	A 341 11	230	630	1030	-	1253	500	-	-	1330	230	-	-	-	-	-	-	-	1290	69
PSM 300	A 341 12	230	650	1070	1490	1710	500	-	-	1780	230	-	-	-	-	-	-	-	1740	78
PSF 500	A 341 47	220	620	1010	1390	1640	650	340	495	1725	220	-	-	1,8	-	11	-	240/670	1670	89
PSM 500	A 341 46																			87
PSR 500	A 341 48																			113
PSF 800	A 343 17	260	630	1030	1430	1700	790	390	585	1785	260	1070	360	2,4	1,8	15	11	240/810	1750	114
PSM 800	A 343 16																			109
PSR 800	A 343 18																			133
PSRR 800	A 343 42																			155
PSM 825	A 343 45	260	685	1140	1595	1857	790	-	-	1940	-	-	-	-	-	-	-	-	1900	115
PSF 1000	A 345 31	310	745	1250	1710	2050	790	390	720	2135	310	1160	540	3	2,4	19	15	240/810	2090	130
PSM 1000	A 345 30																			130
PSR 1000	A 345 32																			149
PSRR 1000	A 345 54																			185
PSM 1250	A 348 38	330	705	1105	1480	182	1000	-	630	1940	330	-	-	3,0	-	19	-	-	1890	130
PSR 1250	A 348 39																			176
PSF 1500	A 348 27	380	825	1350	1760	2150	1000	415	800	2235	375	1260	500	3,6	2,4	22	15	240/1050	2270	207
PSM 1500	A 348 28																			205
PSR 1500	A 348 29																			256
PSRR 1500	A 348 37																			290
PSF 2000	A 349 27	320	900	1490	2020	2380	1100	423	800	2465	320	1420	540	4,2	2,8	26	18	240/1150	2460	251
PSM 2000	A 349 28																			251
PSR 2000	A 349 29																			307
PSRR 2000	A 349 35																			311
PSF 3000	A 349 08	375	985	1600	2205	2596	1250	460	720	2681	375	1665	540	4,5	3,0	29	19	240/1300	2650	363
PSM 3000	A 349 04																			363
PSR 3000	A 349 09																			343
PSM 4000	A 349 21	405	1022	1639	2255	2669	1400	490	720	2754	405	1715	540	5,0	3,6	32	22	-	2740	431
PSF 5000	A 349 16	455	1065	1680	2285	2770	1600	540	720	2855	455	1745	540	6,0	4,2	39	26	240/1650	2893	511
PSM 5000	A 349 05																			504
PSR 5000	A 349 23																			584

ETF: Flange installation depth (for built-in heating or finned tube heat exchanger)

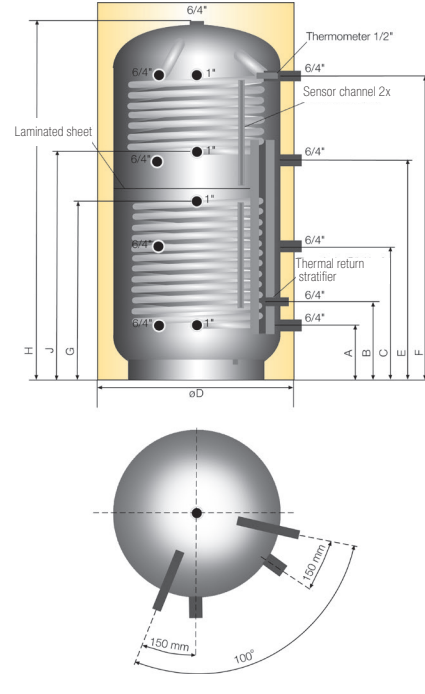
PZ



PZR



PZRR



The PZ/PZR/PZRR with a layering device in the heating return and a layer separation plate. Raised connection pipes in the flow for better utilisation of the buffer content and sen-

sor channels for flexible positioning of temperature sensors round off the innovative concept.

TECHNICAL DATA

Type	Article.no.	Dimensions in mm											Register area in m ²		Register content in l		Tilt dimension in mm	Weight in kg
		H	H with insulation	D _ø	D _ø with insulation	A	B	C	E	F	G (PZ / PZR / PZRR)	J (PZ / PZR / PZRR)	below (PZ / PZR / PZRR)	top (PZ / PZR / PZRR)	below (PZ / PZR / PZRR)	top (PZ / PZR / PZRR)		
PZ 500 PZR 500 PZRR 500	A 341 68 A 341 69 A 348 35	1640	1725	650	850	220	320	620	1010	1390	-/715/715	-/-/1040	-/1,9/1,9	-/-/1,2	-/12,3/12,3	-/-/7,9	1670	87 117 167
PZ 800 PZR 800 PZRR 800	A 343 39 A 343 40 A 343 41	1700	1785	790	990	260	365	630	1030	1430	-/845/845	-/-/1070	-/2,4/2,4	-/-/1,6	-/15,6/15,6	-/-/10,6	1750	105 142 167
PZ 1000 PZR 1000 PZRR 1000	A 345 51 A 345 52 A 345 53	2050	2135	790	990	310	415	745	1250	1710	-/1030/1030	-/-/1160	-/3,0/3,0	-/-/2,4	-/19,2/19,2	-/-/15,6	2090	122 162 295
PZ 1500 PZR 1500 PZRR 1500	A 348 34 A 348 35 A 348 36	2150	2235	1000	1200	380	480	825	1350	1760	-/1175/1175	-/-/1265	-/3,6/3,6	-/-/2,4	-/23,5/23,5	-/-/15,6	2270	210 250 295

EXECUTIONS

Types	200	300	500	800	825	1000	1250	1500	2000	3000	4000	5000
PSF			X	X		X		X	X	X	X	X
PSM	X	X	X	X	X	X	X	X	X	X	X	X
PSR			X	X		X	X	X	X	X	X	X
PSRR				X		X		X	X	X	X	X

EXECUTIONS

Types	500	800	1000	1500
PZ	X	X	X	X
PZR	X	X	X	X
PZRR	X	X	X	X

ECO DESIGN-LABELING



Type	Heat loss according to EN 12897		Tapping profile	Energy efficiency class
	in kWh/24h	S in watts		
PZ 500	2,03	84,6	3XL	C
PZ 800	2,59	107,9	3XL	C
PZ 1000	3,02	125,8	4XL	C
PZ 1500	3,67	152,9	4XL	C
PZR 500	2,03	84,6	3XL	C
PZR 800	2,59	107,9	3XL	C
PZR 1000	3,02	125,8	4XL	C
PZR 1500	3,67	152,9	4XL	C
PZRR 500	2,03	84,6	3XL	C
PZRR 800	2,59	107,9	3XL	C
PZRR 1000	3,02	125,8	4XL	C
PZRR 1500	3,67	152,9	4XL	C

ECO DESIGN-LABELING



Type	Heat loss according to EN 12897		Tapping profile	Energy efficiency class
	in kWh/24h	S in watts		
PSM 200	1,29	53,8	XL	B
PSM 300	1,66	69,2	XXL	B
PSM 500	2,03	84,6	3XL	C
PSM 800	2,59	107,9	3XL	C
PSM 825	2,64	110,0	3XL	C
PSM 1000	3,02	125,8	4XL	C
PSM 1250	3,35	139,6	4XL	C
PSM 1500	3,67	152,9	4XL	C
PSM 2000	4,33	180,4	4XL	C
PSM 3000	5,52	230,0	-	-
PSM 4000	6,53	272,1	-	-
PSM 5000	7,35	306,3	-	-
PSF 500	2,17	90,4	3XL	C
PSF 800	2,73	113,8	3XL	C
PSF 1000	3,16	131,7	4XL	C
PSF 1500	3,81	158,8	4XL	C
PSF 2000	4,48	186,7	4XL	C
PSF 3000	5,66	235,8	-	-
PSF 4000	6,67	277,9	-	-
PSF 5000	7,49	312,1	-	-
PSR 500	2,03	84,6	3XL	C
PSR 800	2,59	107,9	3XL	C
PSR 1000	3,02	125,8	4XL	C
PSR 1250	3,35	139,6	4XL	C
PSR 1500	3,67	152,9	4XL	C
PSR 2000	4,33	180,4	4XL	C
PSR 3000	5,52	230,0	-	-
PSR 4000	6,53	272,1	-	-
PSR 5000	7,35	306,3	-	-
PSRR 800	2,59	107,9	3XL	C
PSRR 1000	3,02	125,8	4XL	C
PSRR 1500	3,67	152,9	4XL	C
PSRR 2000	4,33	180,4	4XL	C
PSRR 3000	5,52	230,0	-	-
PSRR 4000	6,53	272,1	-	-
PSRR 5000	7,35	306,3	-	-

BUFFER TANKS

ACCESSORIES

Types	Article.no.	Designation
PSVS	946258	Connecting corrugated hose for PS connections
PSVS-SET	946259	Connecting corrugated hose set for PS connections (4 pcs.) 6/4"
PSVS-SET 2"	946262	Corrugated connecting hose set for PS connections (4 pcs.) 2"
IS-VS 1"	394030	Insulation fitting R1"
IS-VS 3/4"	394040	Insulation fitting R 3/4"
BF-Set PSF	296500	Flange set PSF/ D240 mm complete raw

BUFFER- & COMBI STORAGE TANK

PSM



PSF



PSR



PSRR



BUFFER TANK

PZ



PZR



PZRR

BUFFER
TANKS