


Cant.	Descriere
1	<p data-bbox="215 338 762 369"><b>HYDRO MPC-ED / P 3CR 10-12 3x400/50 DL</b></p> <div data-bbox="228 383 582 562">  </div> <p data-bbox="608 544 1094 568"><b>Not ! Poza de produs poate diferi de produsul actual</b></p> <p data-bbox="215 575 469 604">Nr. Produs: <a href="#">95123801</a></p> <p data-bbox="215 633 842 663">Pressure booster system supplied as compact assembly.</p> <p data-bbox="215 692 1414 745">Two pumps are CRE pumps, with built-in frequency converter, and the other pumps are CR pumps with fixed speed.</p> <ul data-bbox="252 779 1426 925" style="list-style-type: none"> <li>- Hydro MPC-ED maintains a constant pressure through continuous adjustment of the speed of the CRE pumps.</li> <li>- The system performance is adapted to the demand through cutting in/out the required number of CR(E) pumps and through parallel control of the pumps in operation.</li> <li>- Pump changeover is automatic and depends on load, time and fault.</li> </ul> <p data-bbox="215 985 478 1014">The system consists of:</p> <p data-bbox="215 1016 1390 1070">The CRE10-12 pumps are fitted with M(M)GE motor and thus frequency-converter controlled, the CR10-12 pump(s) are mains-operated (start/stop).</p> <p data-bbox="215 1072 1214 1102">CR(E) pump bases and heads are of cast iron; other vital parts are made of stainless steel.</p> <p data-bbox="215 1104 1230 1133">The pumps are equipped with the service-friendly cartridge shaft seal HQQE (Si/SiC/EPDM).</p> <ul data-bbox="252 1135 1461 1305" style="list-style-type: none"> <li>- Two manifolds of stainless steel DIN W.-Nr. 1-4301 (AISI 304).</li> <li>- One non-return valve and two isolating valves for each pump.</li> <li>- Pressure gauge and pressure transmitter (analog output 4 - 20 mA).</li> <li>- Base frame of galvanised steel.</li> <li>- Control MPC in a steel cabinet, IP 54, including main switch, all required fuses, motor protection, switching equipment and microprocessor-controlled CU 351.</li> </ul> <p data-bbox="215 1339 1230 1368">Dry-running protection and diaphragm tank are available according to the list of accessories.</p> <p data-bbox="215 1402 1023 1431">Pump operation is controlled by Control MPC with the following functions:</p> <ul data-bbox="252 1433 1378 1843" style="list-style-type: none"> <li>- Intelligent pump controller.</li> <li>- Constant pressure control through continuously variable adjustment of the speed of each individual CR(I)E pump.</li> <li>- PID controller with adjustable PI parameters (Kp+Ti).</li> <li>- Constant pressure at setpoint, independent of inlet pressure.</li> <li>- On/off operation at low flow.</li> <li>- Automatic cascade control of pumps for optimal efficiency.</li> <li>- Selection of min. time between start/stop, automatic pump changeover and pump priority.</li> <li>- Automatic pump test function to prevent idle pumps from seizing up.</li> <li>- Possibility of standby pumps.</li> <li>- Possibility of back-up sensor.</li> <li>- Manual operation.</li> <li>- Possibility of external setpoint influence.</li> <li>- Possibility of digital remote-control functions:</li> </ul> <ul data-bbox="215 1845 911 2107" style="list-style-type: none"> <li>• system on/off</li> <li>• max., min. or user-defined duty</li> <li>• up to 7 alternative setpoints. <ul data-bbox="252 1933 911 1991" style="list-style-type: none"> <li>- Digital inputs and outputs can be configured individually.</li> <li>- Pump and system monitoring functions:</li> </ul> </li> <li>• minimum and maximum limits of current value</li> <li>• inlet pressure,</li> <li>• motor protectin.</li> <li>• Sensors and cables surveyed against malfunction.</li> </ul>

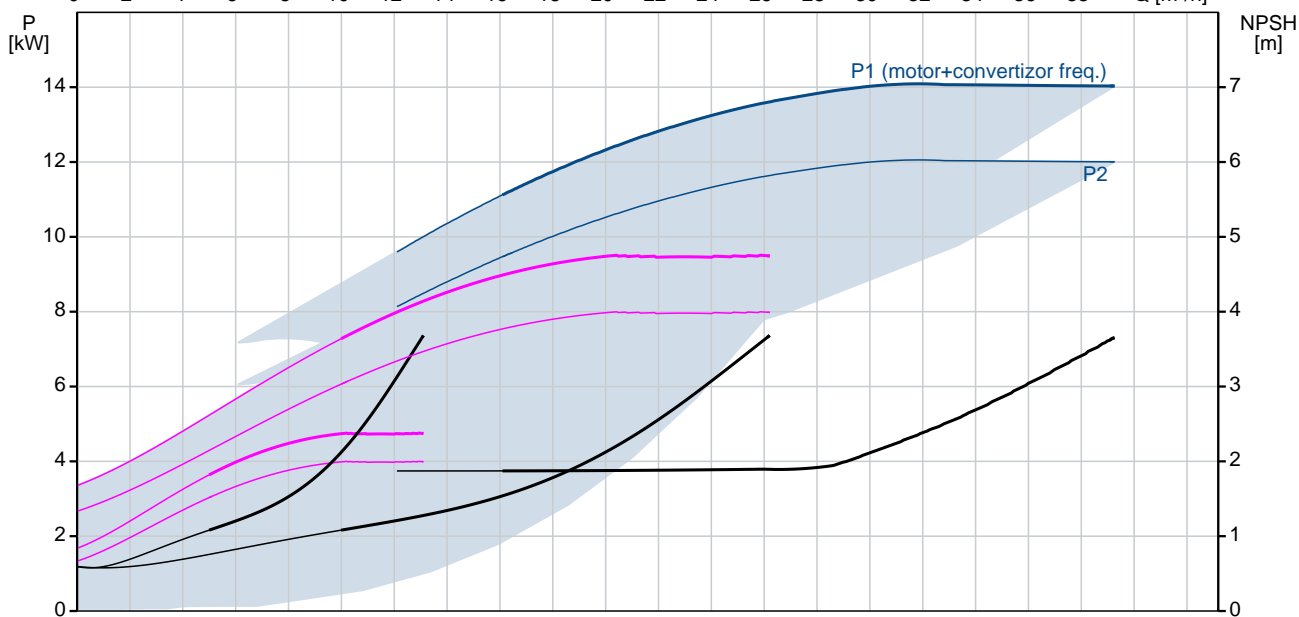
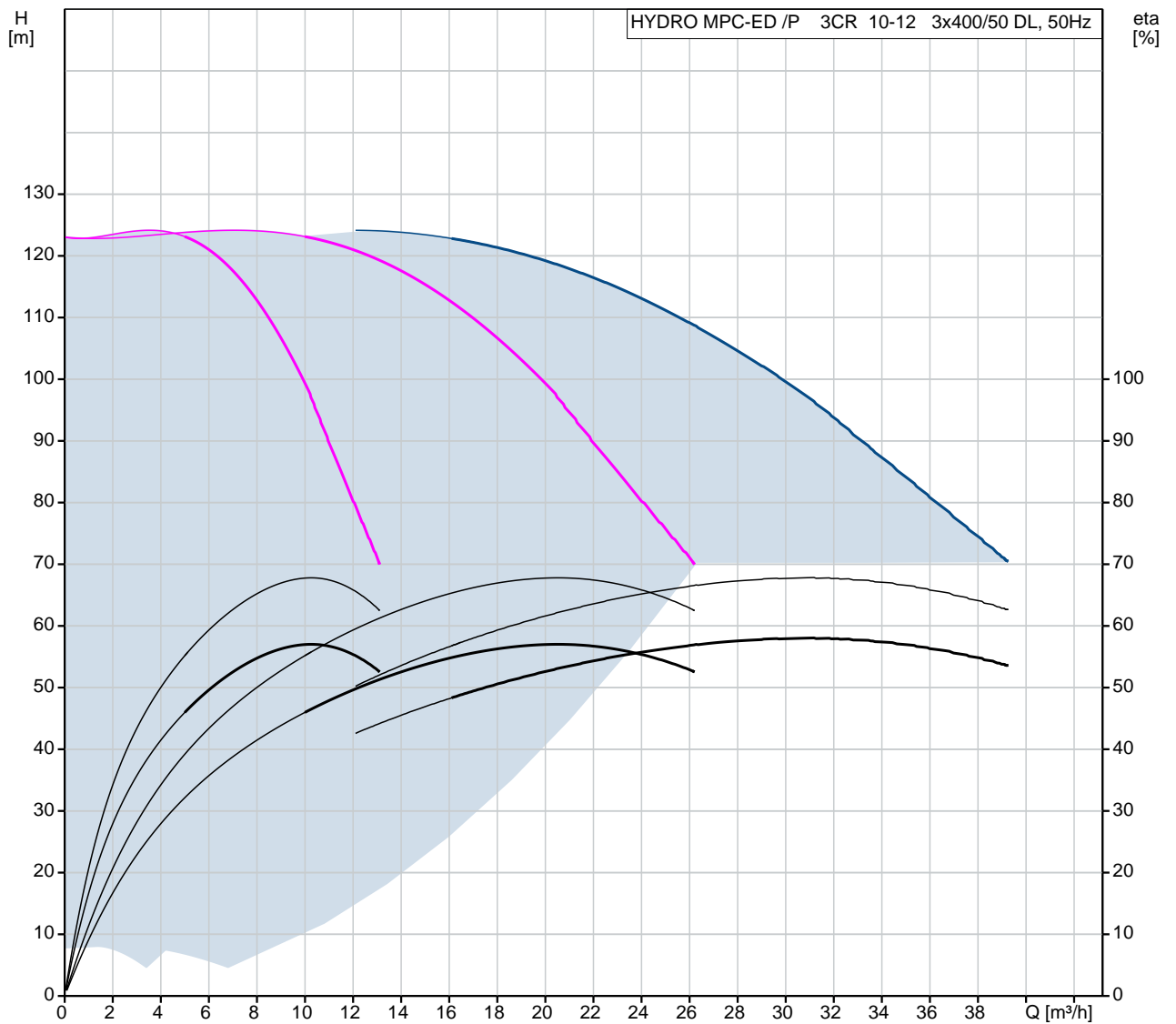
Cant.	Descriere
-------	-----------

- Alarm log with the previous 24 alarms.
  - Display and indication functions:
- 320 x 240 pixels graphical display with back-light,
- green indicator light for operating indications and red indicator light for fault indications
- potential-free changeover contacts for operation and fault.
  - Grundfos BUS communication.

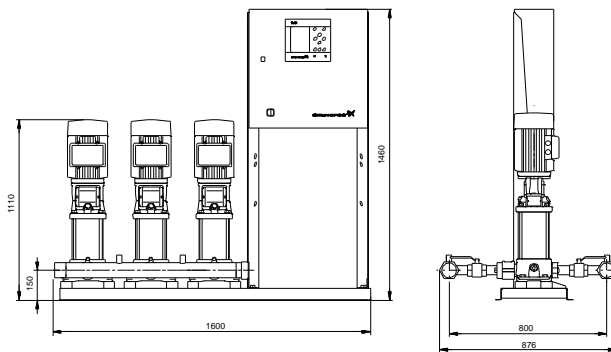
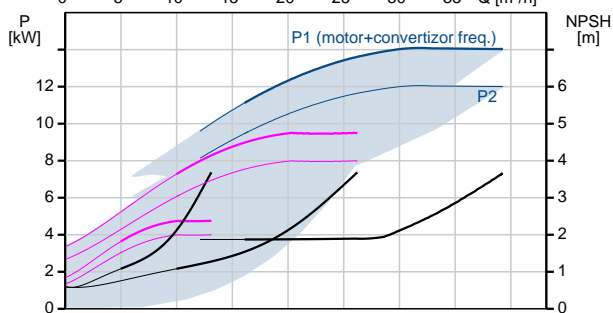
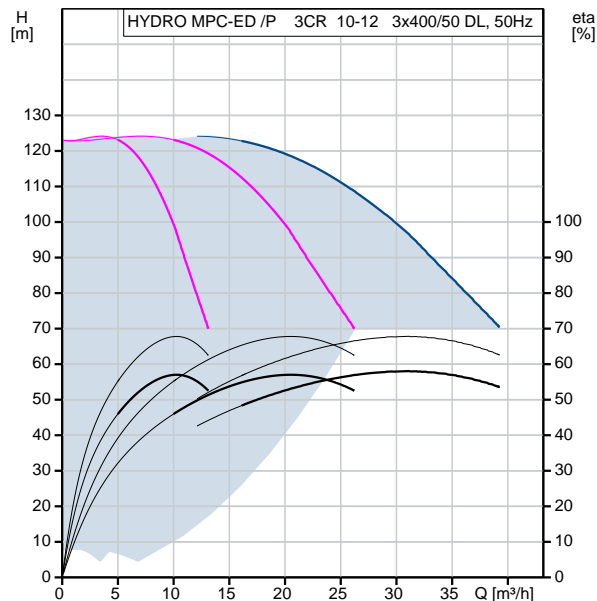
Pumps, piping, cabling complete as well as Control MPC are mounted on the base frame.  
The booster system has been pre-set and tested.

Condi ii debit: Ap  
Temperatura admis a lichidului: 5 °C .. 60 °C  
Presiune maxim de operare: 16 bar  
Debit (Instalatie): 39 m<sup>3</sup>/h  
Debit f r o pomp de rezerv în conformitate cu DIN 1988/T5: 26 m<sup>3</sup>/h  
Alimentare de la re ea: 400 V  
Curentul nominal al instalatiei: 24.2 A  
Putere nominal : 4 kW  
Greutate net : 339 kg

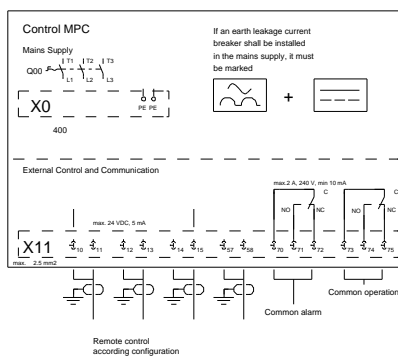
## 95123801 HYDRO MPC-ED /P 3CR 10-12 3x400/50 DL 50 Hz



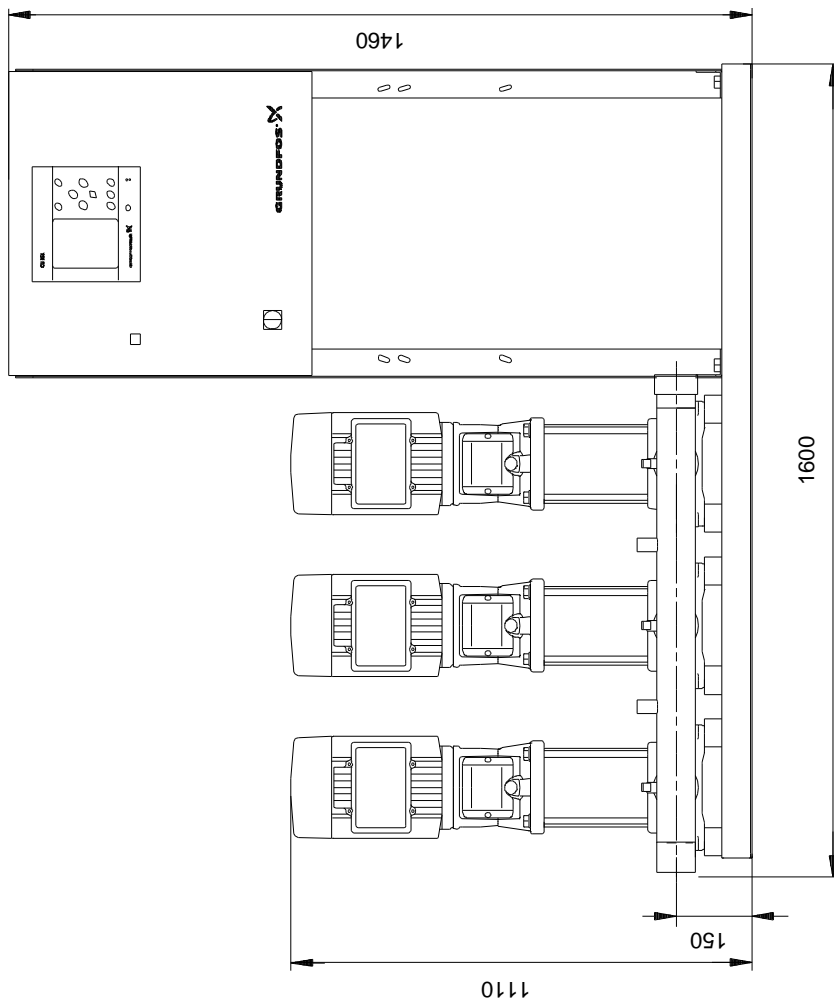
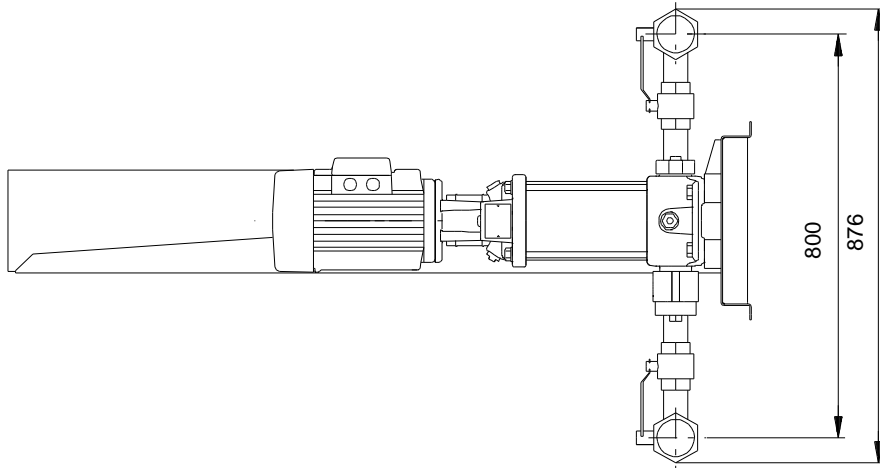
Descriere	Valori i tipuri
<b>Informa ii generale:</b>	
Nume produs::	HYDRO MPC-ED /P 3CR 10-12 3x400/50 DL
Nr. produs::	95123801
Numărul EAN::	5700836936423
	5700836936423
<b>Tehnic:</b>	
Debit minim sistem:	5 m <sup>3</sup> /h
Debit maxim:	39 m <sup>3</sup> /h
Debit maxim system:	26 m <sup>3</sup> /h
În l ime de pompare max.:	121 m
Rotoare auxiliare:	12
Nume pomp principal :	CR10-12
Nr. pompei principale:	96501233
Numele pompei auxiliare:	CRE10-12
Num rul pompei auxiliare:	96512562
Num r de pompe:	3
Valv anti-retur:	pe refulare
<b>Materiale:</b>	
Manifolduri:	O el Inox
<b>Instala ie:</b>	
Presiune de func ionare maxim :	16 bar
Presiunea la aspira ie maxim permis :	3.9 bar
Colector aspira ie:	G 21/2
Colector refulare:	G 21/2
Evaluare presiune:	PN 16
<b>Lichid:</b>	
Lichid pompat:	Ap
Gama temperaturii lichidului:	5 .. 60 °C
Temperatura lichidului în timpul func ion rii:	20 °C
Densitate:	998.2 kg/m <sup>3</sup>
<b>Date electrice:</b>	
Putere (P2) pomp principal :	4 kW
P2 aux.:	4 kW
Frecven a re elei electrice:	50 Hz
Tensiune nominal :	3 x 400 V
Curent nominal pentru sistem:	24.2 A
Grad de protec ie (IEC 34-5):	IP54
Suprimare interferen radio:	EU EMC - 89/336/EEC
<b>Control:</b>	
Control type:	ED
<b>Rezervor:</b>	
Rezervor cu diafragm :	Nu
<b>Altele:</b>	
Echipament de baz :	Y
Greutate net :	339 kg
Greutate brut :	489 kg
Gam produs:	Estul Europei



Field Wiring



## 95123801 HYDRO MPC-ED /P 3CR 10-12 3x400/50 DL 50 Hz



Not : Toate unit ile sunt in [mm] daca nu sunt altele specificate.  
Negare: Acest desen dimensional simplificat nu prezint toate detaliile.