
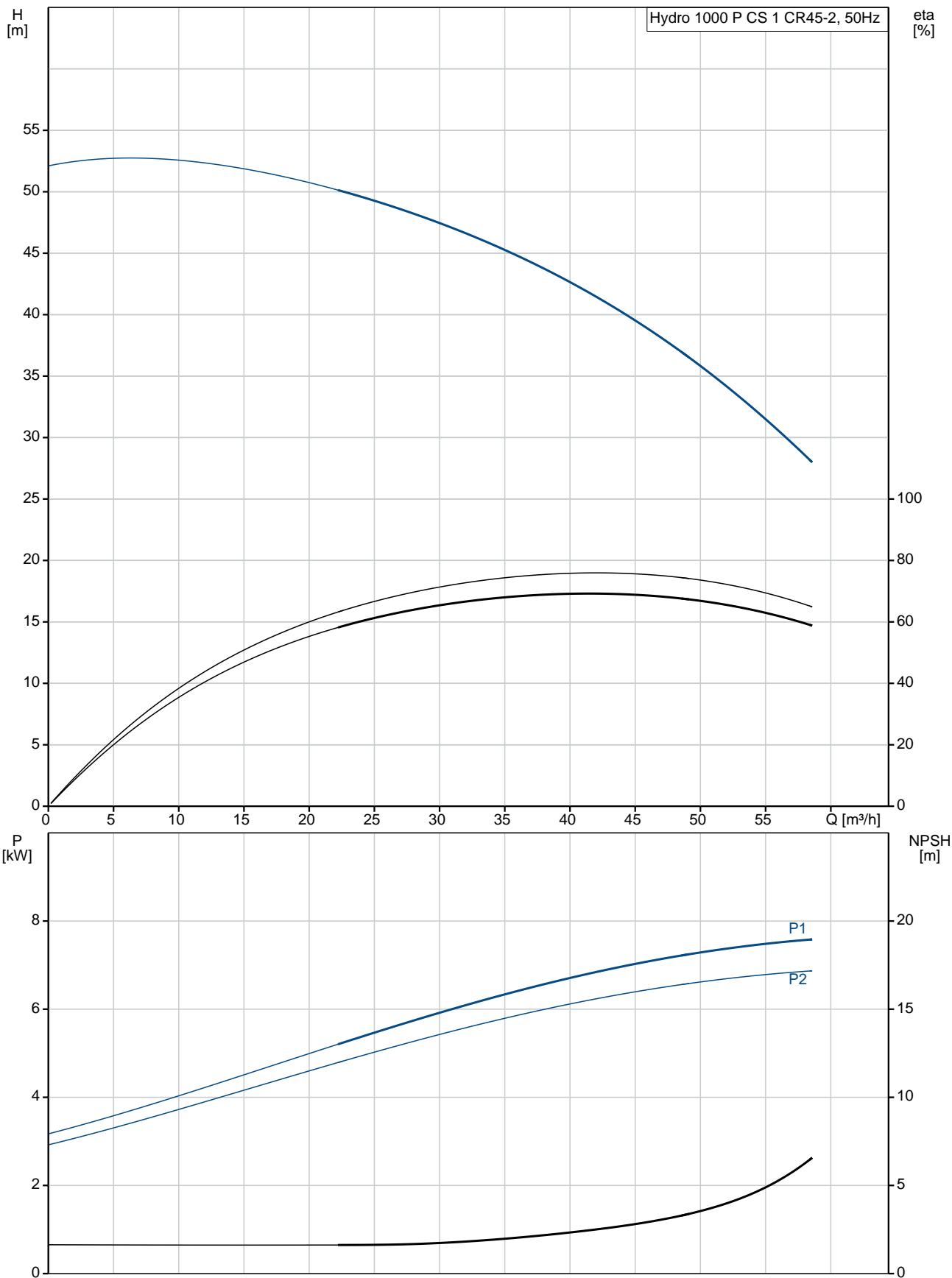


Cant.	Descriere
1	<p data-bbox="217 340 529 367"><b>Hydro 1000 P CS 1 CR45-2</b></p>  <p data-bbox="606 770 1091 797"><b>Not ! Poza de produs poate diferi de produsul actual</b></p> <p data-bbox="217 801 469 828">Nr. Produs: <a href="#">95129830</a></p> <p data-bbox="217 860 746 918">Pressure boosting system supplied as complete, preassembled and factory tested</p> <p data-bbox="217 949 478 976">The system consists of:</p> <ul data-bbox="217 981 861 1335" style="list-style-type: none"><li>A: 1 vertical multistage centrifugal pumps, type CR45-2 fitted with MG motor. Pump bases and heads are of cast iron, other vital parts are made of stainless steel.</li><li>B: Discharge manifolds of stainless steel, DIN W.Nr 1.4301.</li><li>C: One non-return valve (CAST IRON) and two isolating valves.</li><li>D: Pressure switch.</li><li>E: Base frame of galvanized steel.</li><li>F: Control CS 1000 in a plastic cabinet, IP54, including main switch motor protectors and auxiliary circuits.</li><li>H: Pressure gauge</li></ul> <p data-bbox="217 1366 734 1424">Dry-running protection and diaphragm tank are available according to the list of accessories.</p> <p data-bbox="217 1456 654 1514">Pump operation is controlled by a panel with the following functions:</p> <ul data-bbox="252 1518 782 1841" style="list-style-type: none"><li>- Front cover pump operation mode<ul style="list-style-type: none"><li>* AUTO</li><li>* STOP</li><li>* MANUAL (TEST)</li></ul></li><li>- Front cover indication functions:<ul style="list-style-type: none"><li>* mains voltage - white indicator light on when mains is connected</li><li>* overload protection - red light for thermal protection indication</li><li>* pump running - green light for pump running indication</li></ul></li></ul> <p data-bbox="217 1872 932 1930">Pumps, piping and control panel are mounted on the base frame. The booster is factory pre-adjusted and tested.</p>

## 95129830 Hydro 1000 P CS 1 CR45-2 50 Hz



Descriere	Valori i tipuri
-----------	-----------------

**Informa ii generale:**

Nume produs::	Hydro 1000 P CS 1 CR45-2
Nr. produs::	95129830
Numărul EAN::	5700312943327
	5700312943327

**Tehnic:**

Debit minim sistem:	30 m <sup>3</sup> /h
Debit maxim:	90 m <sup>3</sup> /h
Debit maxim system:	45 m <sup>3</sup> /h
În l ime de pompare max.:	50 m
Nume pomp principal :	CR45-2
Nr. pompei principale:	96122799
Num r de pompe:	1
Valv anti-retur:	pe refulare

**Materiale:**

Manifolduri:	O el Inox
--------------	-----------

**Instala ie:**

Presiune de func ionare maxim :	16 bar
Flan standard:	DIN
Aspira ie pomp :	DN 80
Refulare pomp :	DN 80
Evaluare presiune:	PN 16

**Lichid:**

Lichid pompat:	Ap
Gama temperaturii lichidului:	0 .. 50 °C
Temperatura lichidului în timpul func ion rii:	20 °C
Densitate:	998.2 kg/m <sup>3</sup>

**Date electrice:**

Putere (P2) pomp principal :	7.5 kW
Frecven a re elei electrice:	50 Hz
Tensiune nominal :	3 x 400 V, 50 Hz, PE
Tensiune nominal pomp principal :	3 x 400 V
Pornire principal :	direct
Curent nominal pentru sistem:	15.2 A
Grad de protec ie (IEC 34-5):	IP54
Suprimare interferen radio:	IEC/CISPR 11-1B

**Control:**

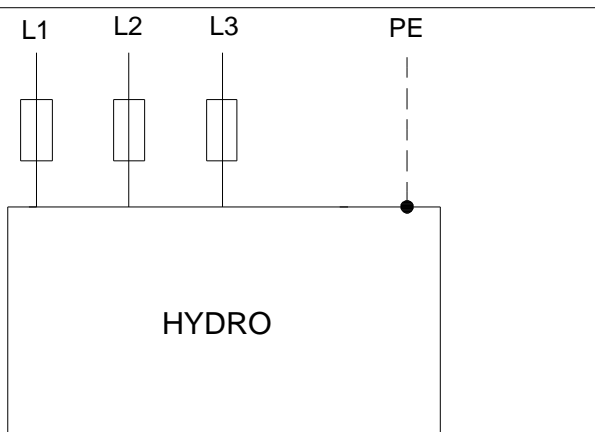
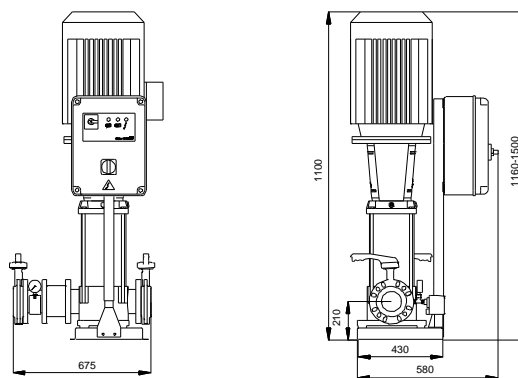
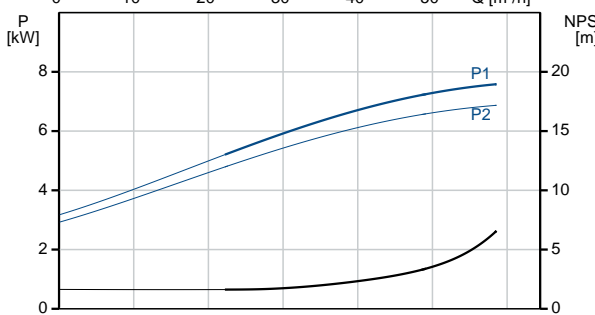
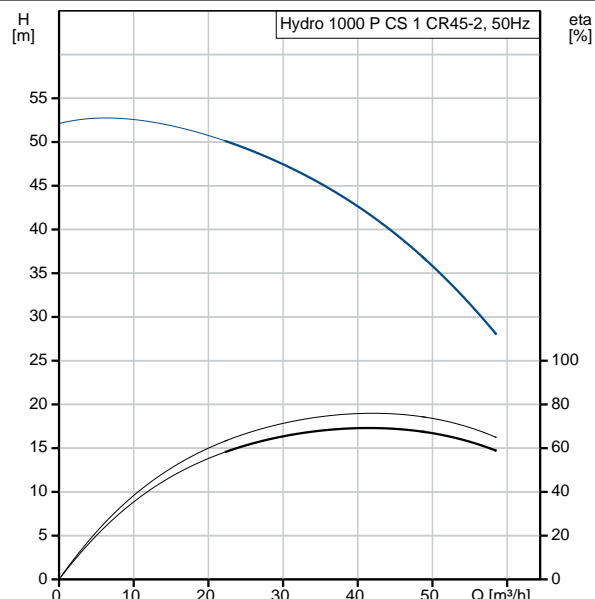
Control type:	MS
Unitate func ional :	CS 1000

**Rezervor:**

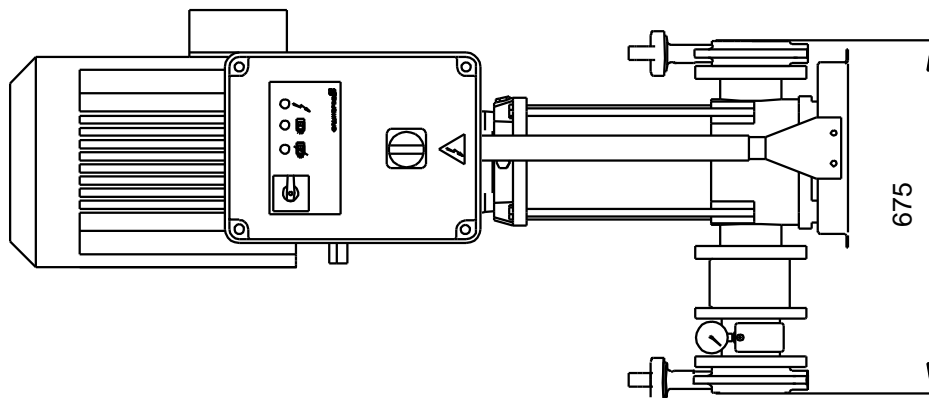
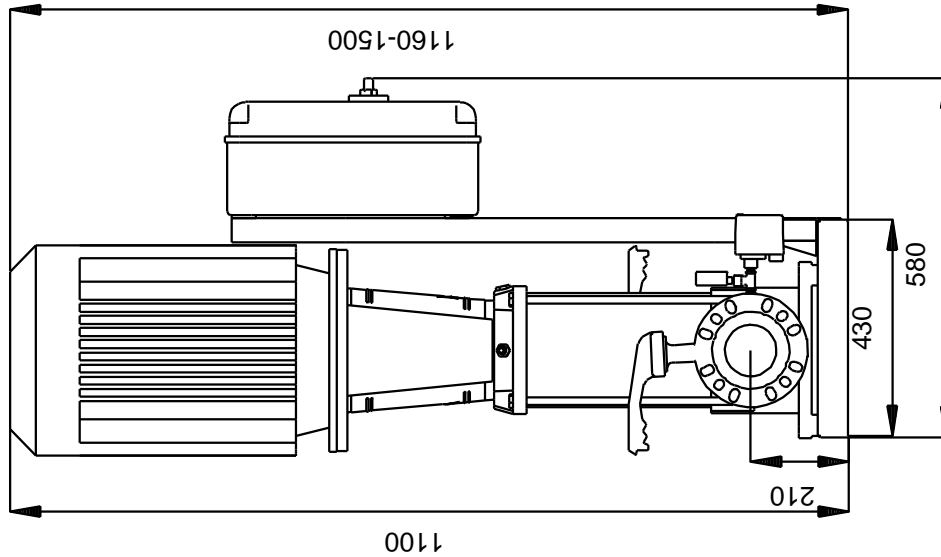
Rezervor cu diafragm :	Nu
------------------------	----

**Altele:**

Echipament de baz :	Y
Greutate net :	153 kg
Gam produs:	Interna ional



## 95129830 Hydro 1000 P CS 1 CR45-2 50 Hz



Not : Toate unit ile sunt in [mm] daca nu sunt altele specificate.  
Negare: Acest desen dimensional simplificat nu prezint toate detaliile.