

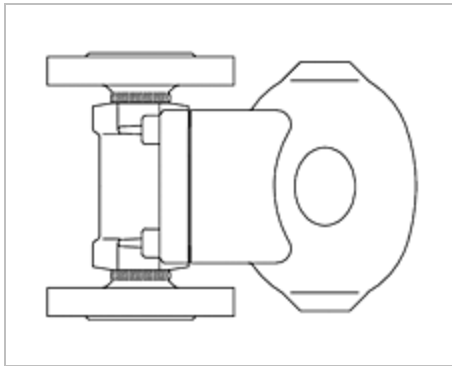


ARI Valve Corporation
 1738 Sands Place SE
 Marietta GA 30067
Toll Free: 1-800-933-8845
Call: 770-933-8845
Fax: 770-933-8846
Email: sales@arivalve.com

Item # 42.634...2 (DN 25) 1", CONA® SC Ball Float Steam Trap with capsule for rapid system start-up ANSI 150 (PN 16 bar/PN 40 bar)

Size: 1/2 - 1 inch. Ball float steam trap with capsule for rapid system start-up, made of forged steel, stainless steel.

- Ball float steam trap with level controller for the condensate-discharge from all kinds of steam systems
- Rapid system start-up due to thermostatic control element
- Immediate discharge of hot boiling condensate
- Discharge of great condensate quantities even at low differential pressure
- Standard installation position: - vertical
- Special installation position: - horizontal with inlet



[+ more](#)

[Specifications](#) | [Features](#)

Specifications

Model No.	BR 634...2
Dia. Nominal	1 Inch
Dia. Nominal	25 mm
Nominal Pressure	ANSI 150 PN 16 bar

Connection	Screwed Socket R-Thread Screwed Socket NPT-Thread
Material	Body - SA 105, Hood - SA 216 WCB
Dimension L	3.74 Inch
Dimension H	5.51 Inch
Dimension B	6.10 Inch
Dimension b1	3.82 Inch
Dimension S (Withdrawal distance)	4.72 Inch
Operating Pressure Limit- PS	58 psi-g 203 psi-g
Operating Temp. Limit- TS	572 °F
Allowable Diff. Pressure Delta PMX	For R14 Controller 203 psi For R4 Controller 58 psi
Controller	R4 R14
Approx. Weight	11.2 lbs
Note	Other types of Connections on request Other face-to-face dimensions on request.

Features

- Backpressure-free condensate discharge even at extreme pressure and quantity fluctuations (except BR 630 / 636)
- Controller with integrated automatic ventilation
- Robust and insensitive to waterhammer
- Integrated non return protection
- Union for pressure compensation line and bypass possible
- Optimum on-site handling, converts easily from vertical to horizontal installation position
- The exchange of the controller is possible without disturbing the pipe connections