

**Cant.    Descriere**

1    UNILIFT CC5 - A1



Not ! Poza de produs poate diferi de produsul actual

Nr. Produs: [96280966](#)

Grundfos Unilift CC pumps are single-stage submersible pumps with a low suction ability down to 3 mm water level.

The pumps are designed for pumping rainwater and grey wastewater, e.g. from

- washing machines, baths, sinks, etc. from low-lying parts of buildings up to sewer level
- cellars or buildings prone to flooding
- draining wells
- wells for surface water with inlets from roof gutters, pits, tunnels, etc.
- swimming pools, ponds or fountains.

The pumps are suitable for both stationary and portable use.

They are for automatic operation.

The pumps allow free passage of particles up to  $\varnothing 10$  mm.

The motor incorporates automatic overload protection cutting out the motor in case of overload.

When cooled to normal temperature, the motor restarts automatically.

**Tehnic:**

Dimensiunea maxim a particulelor: 3/8 in

**Materiale:**

Corpul pompei (stator): PP 15 GF  
Rotor: PPOm 20 GF

**Instala ie:**

Refulare pomp : R 1 1/4  
Adâncime maxim de instalare: 32.8 ft

**Lichid:**

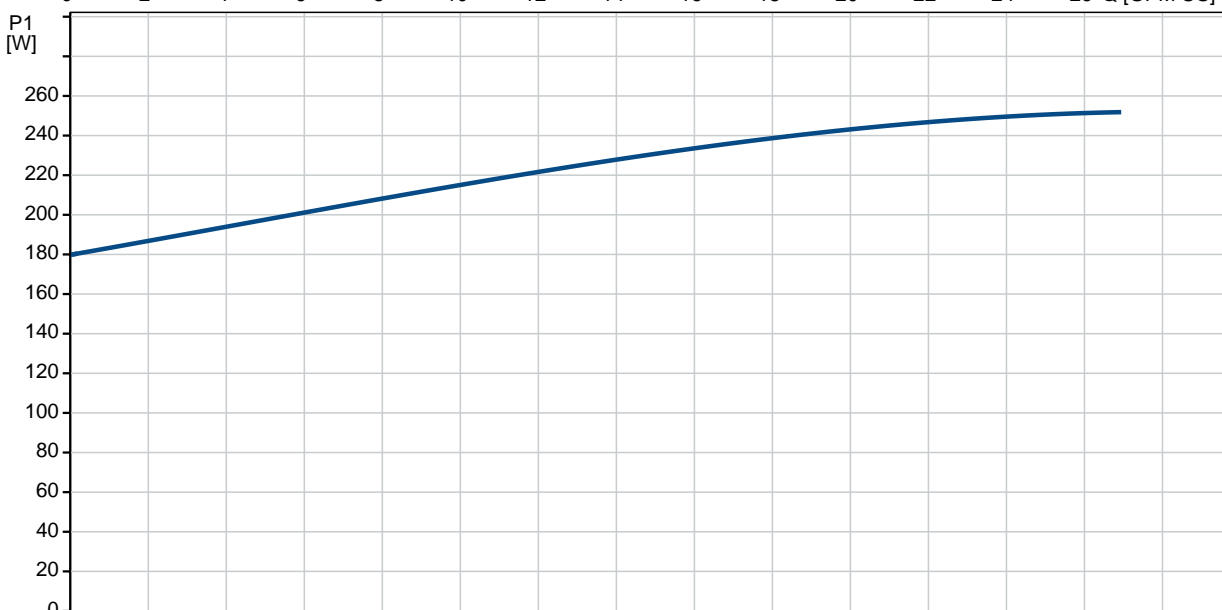
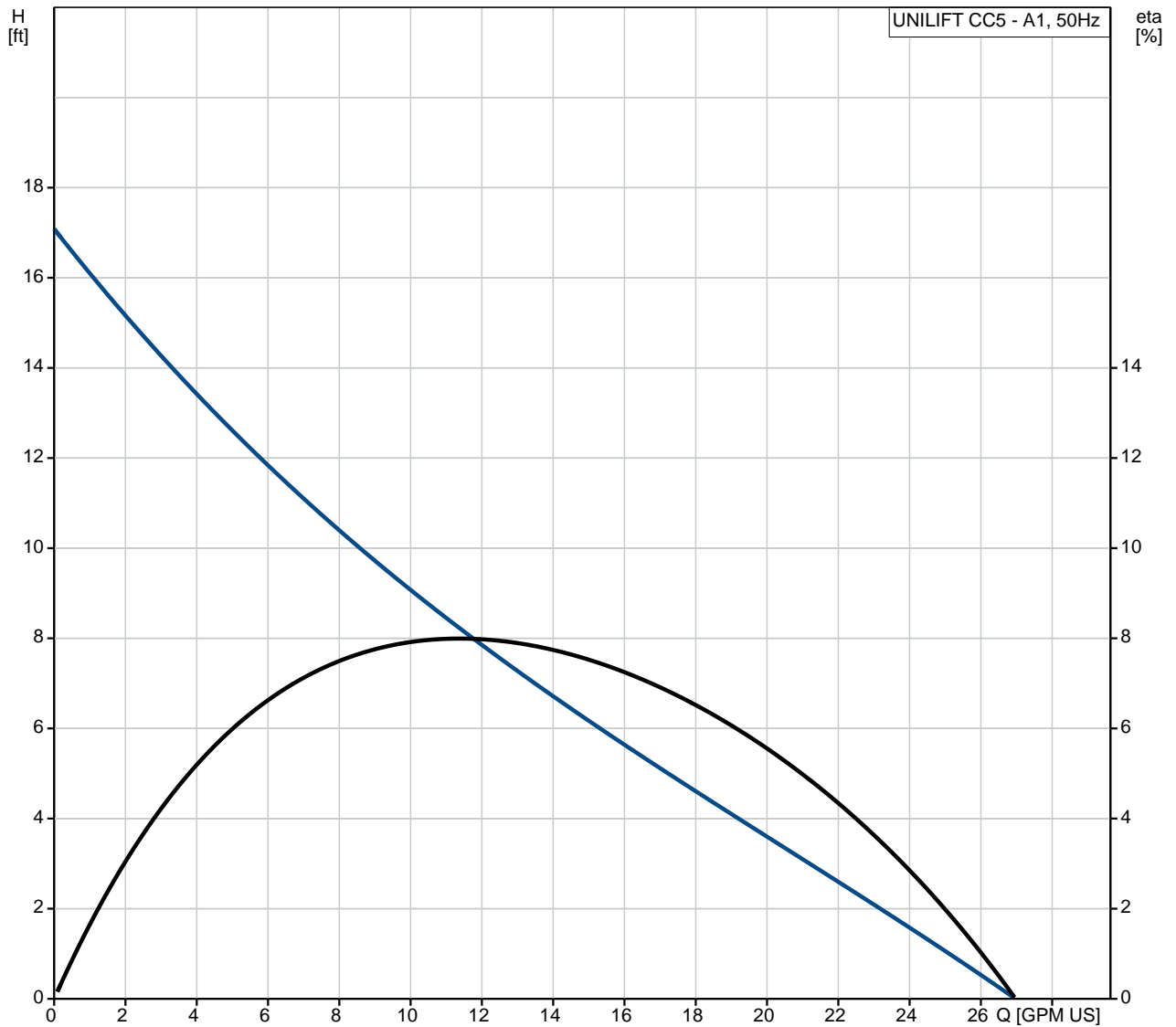
Lichid pompat: orice vâscozit i fluid  
Gama temperaturii lichidului: 32 .. 104 °F  
Densitate: 62.29 lb/ft<sup>3</sup>

**Date electrice:**

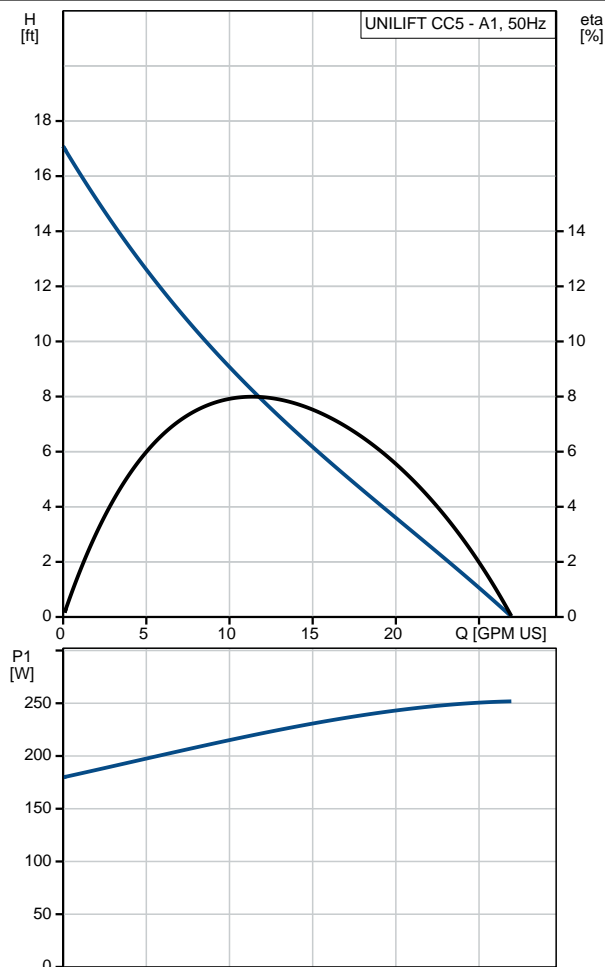
Frecven a re elei electrice: 50 Hz  
Tensiune nominal : 1 x 220-240 V

Cant.	Descriere
	<p>Curent nominal: 0.98 A Dimensiune condensator - func ionare: 4 <math>\mu</math>F/450 V Grad de protec ie (IEC 34-5): IP68 Clas de izolare (IEC 85): B Lungimea cablului: 16.4 ft Tip de conectare cablu: SCHUKO</p> <p><b>Altele:</b> Greutate net : 9.94 lb Greutate brut : 11.6 lb Volum de livrare: 0.6 ft<sup>3</sup> Danish VVS No.: 391280351 Nr. RSK suedez: 5885924 Norwegian NRF no.: 9045634</p>

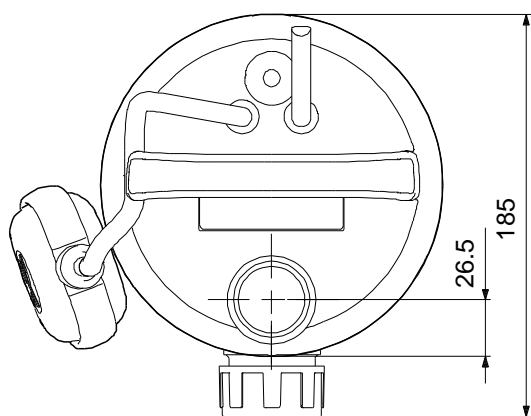
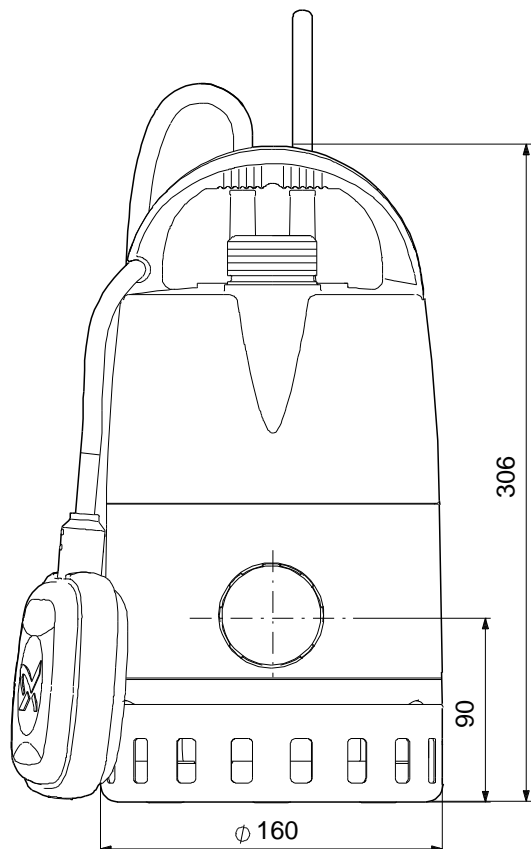
## 96280966 UNILIFT CC5 - A1 50 Hz



Descriere	Valori i tipuri
<b>Informa ii generale:</b>	
Nume produs::	UNILIFT CC5 - A1
Nr. produs::	96280966
Numărul EAN::	5700830761366
	5700830761366
<b>Tehnic:</b>	
Debit maxim:	26.4 GPM US
În l ime de pompare max.:	16.41 ft
Dimensiunea maxim a particulelor:	3/8 in
<b>Materiale:</b>	
Corpul pompei (stator):	PP 15 GF
Rotor:	PPOm 20 GF
<b>Instala ie:</b>	
Refulare pomp :	R 1 1/4
Adâncime maxim de instalare:	32.8 ft
<b>Lichid:</b>	
Lichid pompat:	orice vâscozită i fluid
Gama temperaturii lichidului:	32 .. 104 °F
Densitate:	62.29 lb/ft <sup>3</sup>
<b>Date electrice:</b>	
Frecven a re elei electrice:	50 Hz
Tensiune nominal :	1 x 220-240 V
Curent nominal:	0.98 A
Dimensiune condensator - func ionare:	4 µF/450 V
Grad de protec ie (IEC 34-5):	IP68
Clas de izolare (IEC 85):	B
Protec ie motor:	DA
Lungimea cablului:	16.4 ft
Tip de conectare cablu:	SCHUKO
<b>Control:</b>	
Detector de nivel:	flotor
<b>Altele:</b>	
Greutate net :	9.94 lb
Greutate brut :	11.6 lb
Volum de livrare:	0.6 ft <sup>3</sup>
Danish VVS No.:	391280351
Nr. RSK suedez:	5885924
Norwegian NRF no.:	9045634

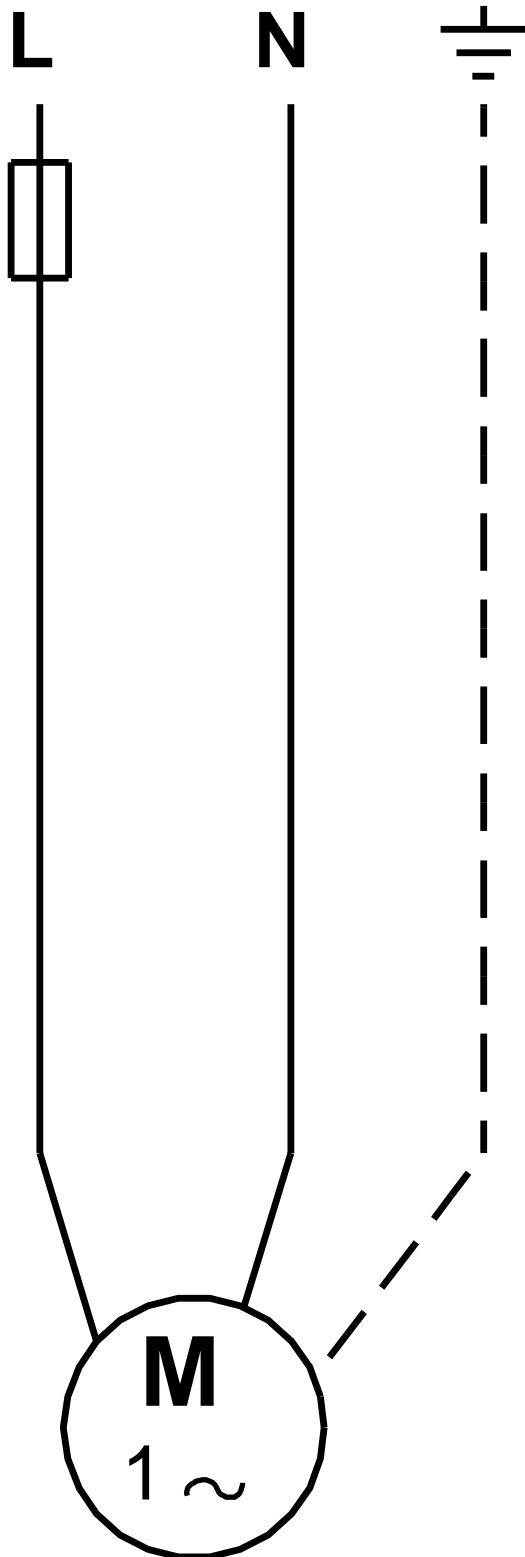


## 96280966 UNILIFT CC5 - A1 50 Hz



Not : Toate unit ile sunt in [in] daca nu sunt altele specificate.  
Negare: Acest desen dimensional simplificat nu prezint toate detaliile.

**96280966 UNILIFT CC5 - A1 50 Hz**



Not ! Toate unit ile sunt în [in] dac nu sunt altele specificate.