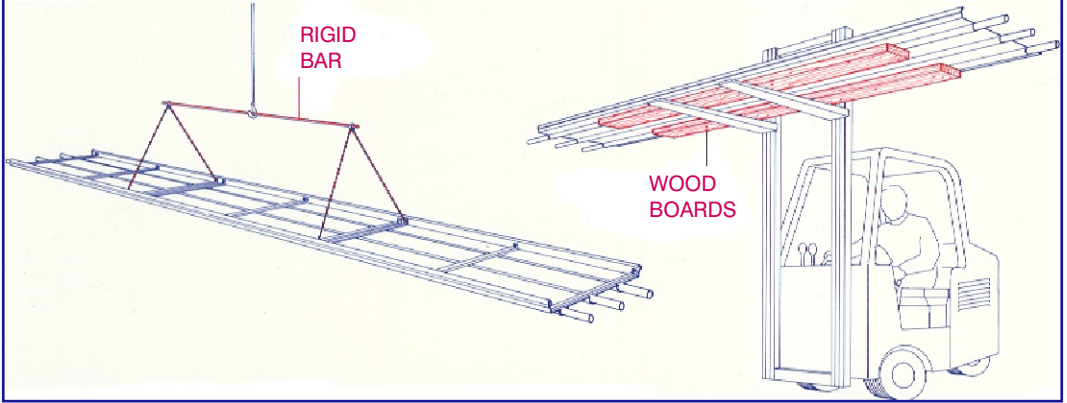
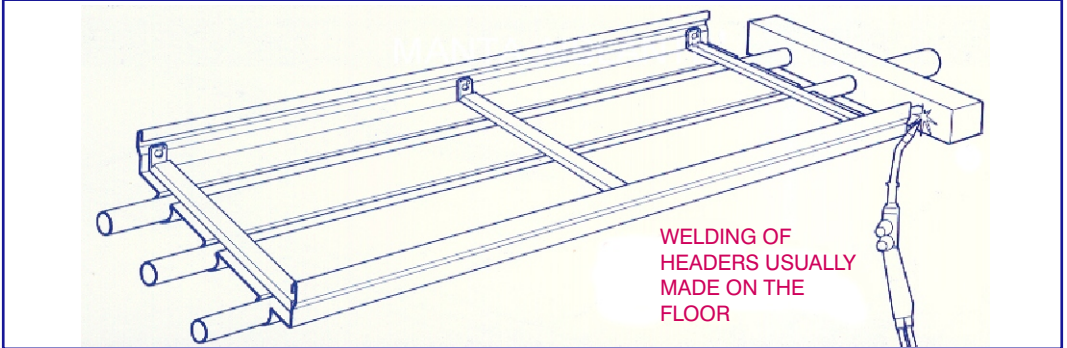


ISTRUZIONI

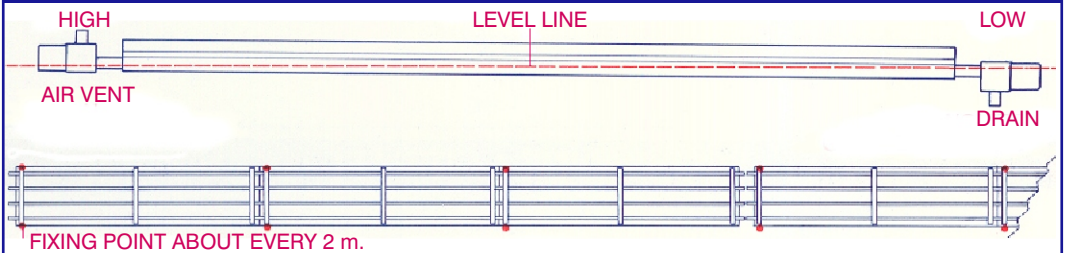
1 TRASPORTATION



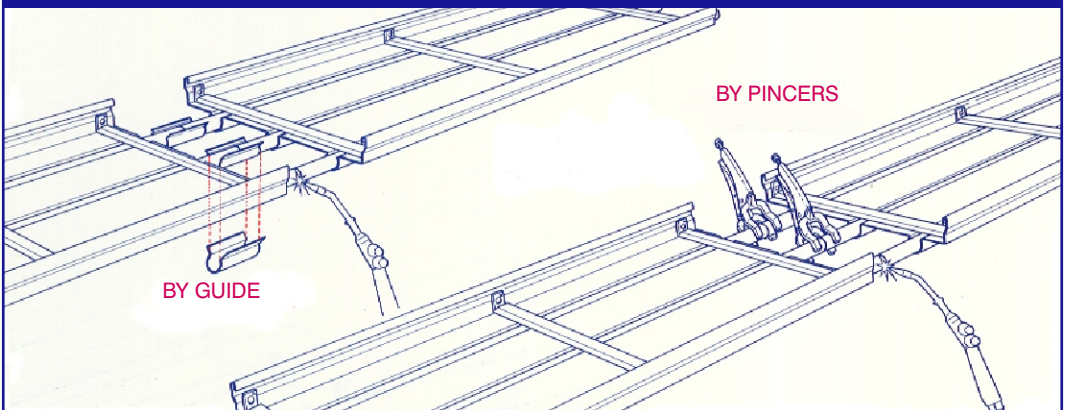
2 HEADERS (IF NOT ALREADY WELDED)



3 INSTALLATION



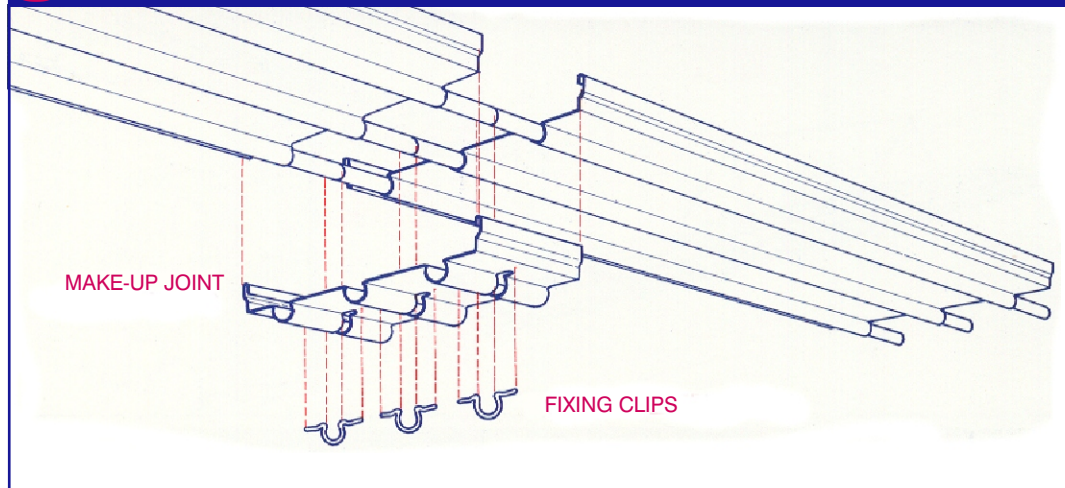
4 ASSEMBLY BY WELDING



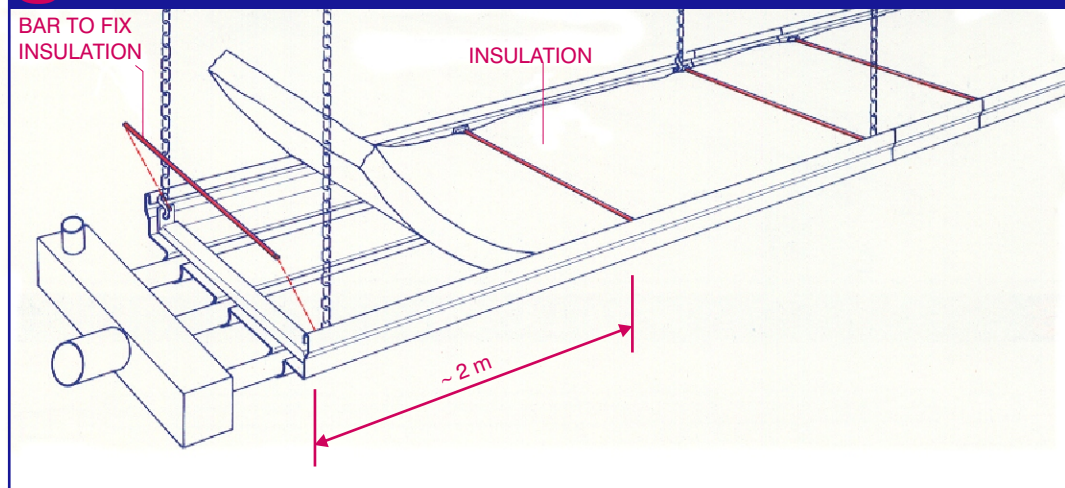


INSTRUCTIONS

5 MAKE-UP JOINTS



6 INSULATION



7 ANTI-CONVECTIVE SIDE SKIRTS (UPON REQUEST)

