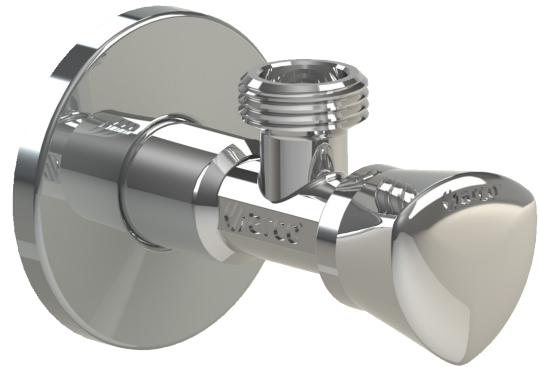




# Regula angle valve



**TECHNICAL SHEET 03/2016 | IPO1090**

## SCOPE

REGULA angle valves are designed to be connected to water pipe system. They are used to regulate and shut off individually water supply to sinks, basins and other places to proceed to repair or replace.

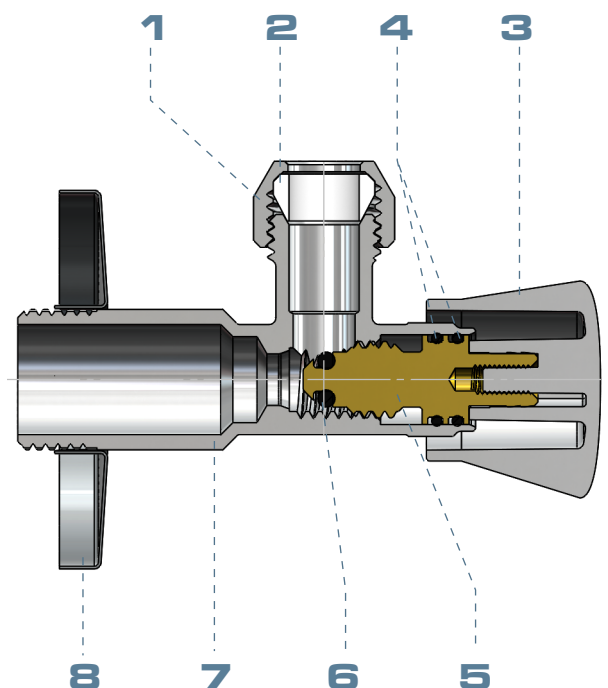
## SERVICE CONDITIONS

Nominal pressure: 16 bar  
Test pressure: 25 bar  
Temperature range: cold and hot water up to 95° C  
Fluid: Water intended to human consumption and domestic hot water

## COMPONENTS

Item	Component	Material	Treatment
1	Nut <sup>1</sup>	CW614N European Brass	Chrome plated
2	Bicone <sup>1</sup>	Polyamide	
3	Handle	ABS	Chrome plated
4	O-rings	NBR	
5	Stem	CW614N European Brass	
6	Seal	NBR	
7	Main body	CW617N European Brass	Chrome plated
8	Rosette	Stainless steel	

<sup>1</sup> According to model





## MAIN CONSTRUCTIVE FEATURES

### Stem

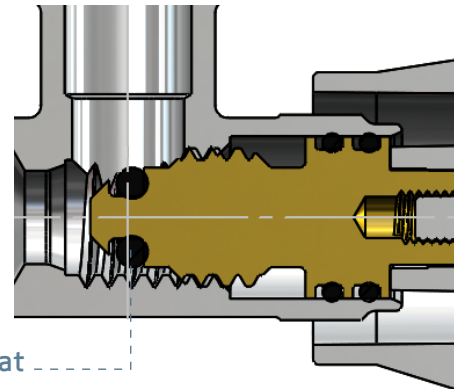
It is made of European CW614N brass multi-tum spindle. This multi-tum system and the cone-shapes end help to the controlled regulation of the flow.

This component has been designed to reduce loss of pressure, increase the flow rate and avoid noise.



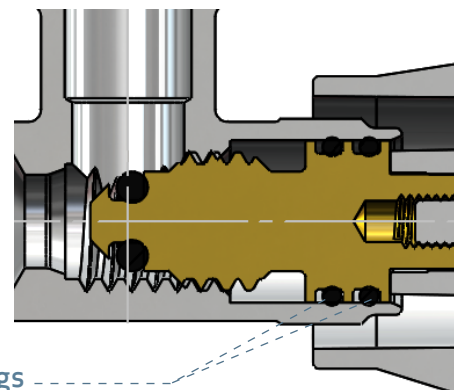
### Internal leak tightness

The seal placed at the end of the stem makes pressure against the body of the valve, bringing on leak tightness and keeping from the flow.



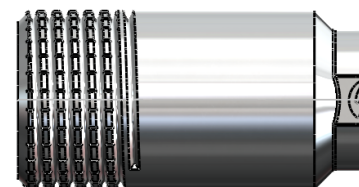
### External leak tightness

A pair of NBR O-rings placed on the stem assure external leaklessness. This double joint system guarantees safety against external leakage, use ageing, etc.



### Knurled threads

REGULA ORIGINAL angle valves have the classic knurled system of ARCO on the thread to facilitate the installation. It makes easier the application of teflon, esparto gras... to the thread, avoiding slidings of these elements while application.



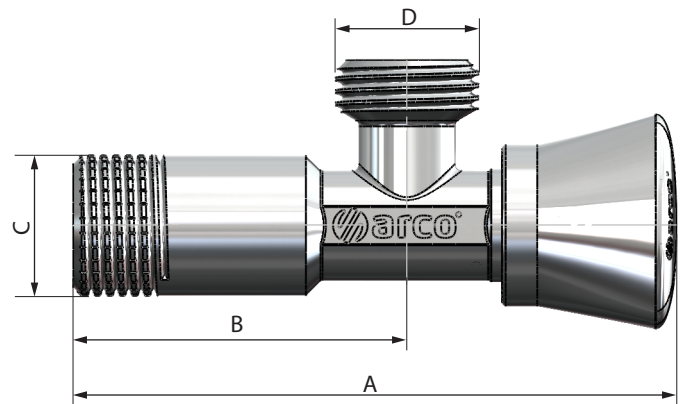


## DIMENSIONS

REGULA without nut

Size	A	B	C	D
1/2 X 3/8	87	48	G 3/8 A	G 1/2 A
1/2 X 1/2	87	48	G 1/2 A	G 1/2 A

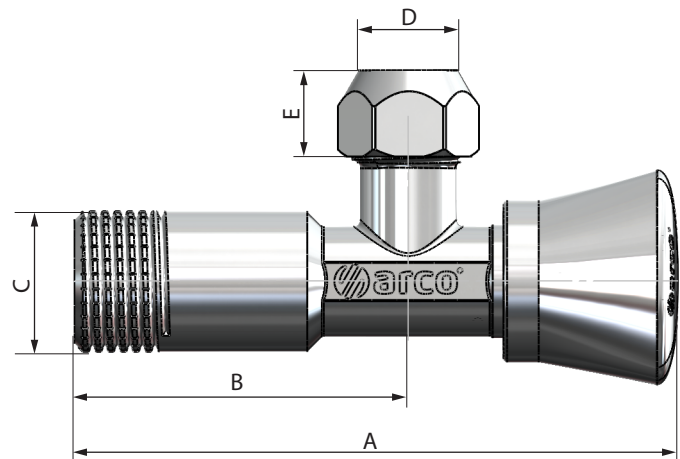
Threads G ISO 228



REGULA with nut

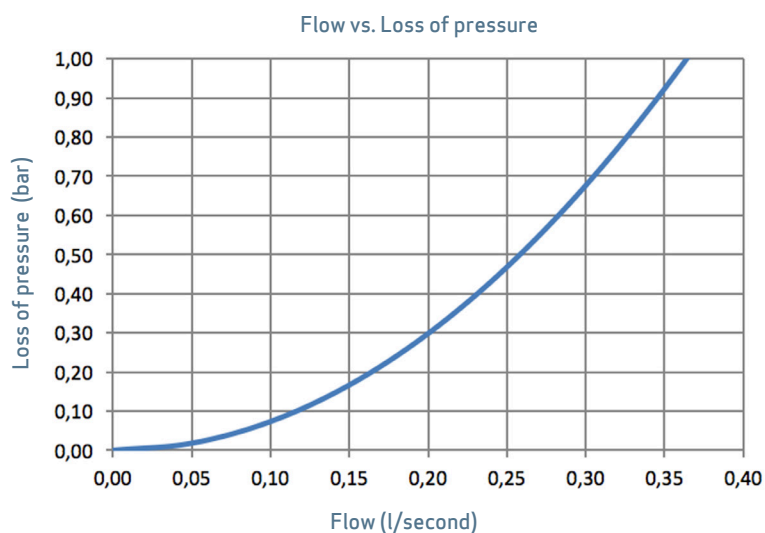
Size	A	B	C	D	E
1/2 x 3/8 x 10	87	48	G 1/2 A	10	13

Threads G ISO 228



## HYDRAULIC FEATURES

Hydraulic characteristics obtained according to EN 1267.





## INSTALATION **AND ASSEMBLY**

The installation of valves must be done with the right tool, mostly with 15 spanner.

The tool should be adjusted to the flat sides of the body of the valve, avoiding the deformation of the zone by high pressure of the tool.

Components of the valve must not be altered. The substitution or dismantelling of the handle can cause external leaks.

