



NMT MAX II S 40/80 F250

979527178

NMT MAX II S / Electronically regulated circulating pump with S communication module

GENERAL

Seria produsului	979527178		
Part name	NMT MAX II S 40/80 F250		
Seal type		EEl	0,2
Greutate	11,85 [kg]		
H max	8.29 [m]	H min	0.0 [m]
Q max	19.11 [m3/h]	Q min	0.0 [m3/h]
	[%]		
Nivelul functional de zgomot [dB(A)]	≤43 dB(A)		

ELECTRICAL DATA

Alimentare	1~230 V
Frecventa	50/60 Hz
Consumul de energie	270 [w]
Rotatii pe minut RPM	3700 [1/min]
Clasa de izolatie	H
Consum curent	1.4 [A]
Protectie	IP44
Thermal protection	NTC
Frame size	

INSTALLATION

Fluide aprobate	
Temperatura agentului	-10.0 ÷ 110.0 [°C]
Temperatura maxima ambientala	40 deg C
Distanta intre axe	250 [mm]
DN	40 [mm]
Racord	PN 6/10
Conexiune	PN 6/10
Presiune maxima	1.0 MPa

MATERIAL

Materialul rulmentului	
Materialul elicei	
Materialul hidraulic	Fonta
Materialul axului	

NMT MAX II S 40/80 F250

979527178

NMT MAX II S / Electronically regulated circulating pump with S communication module



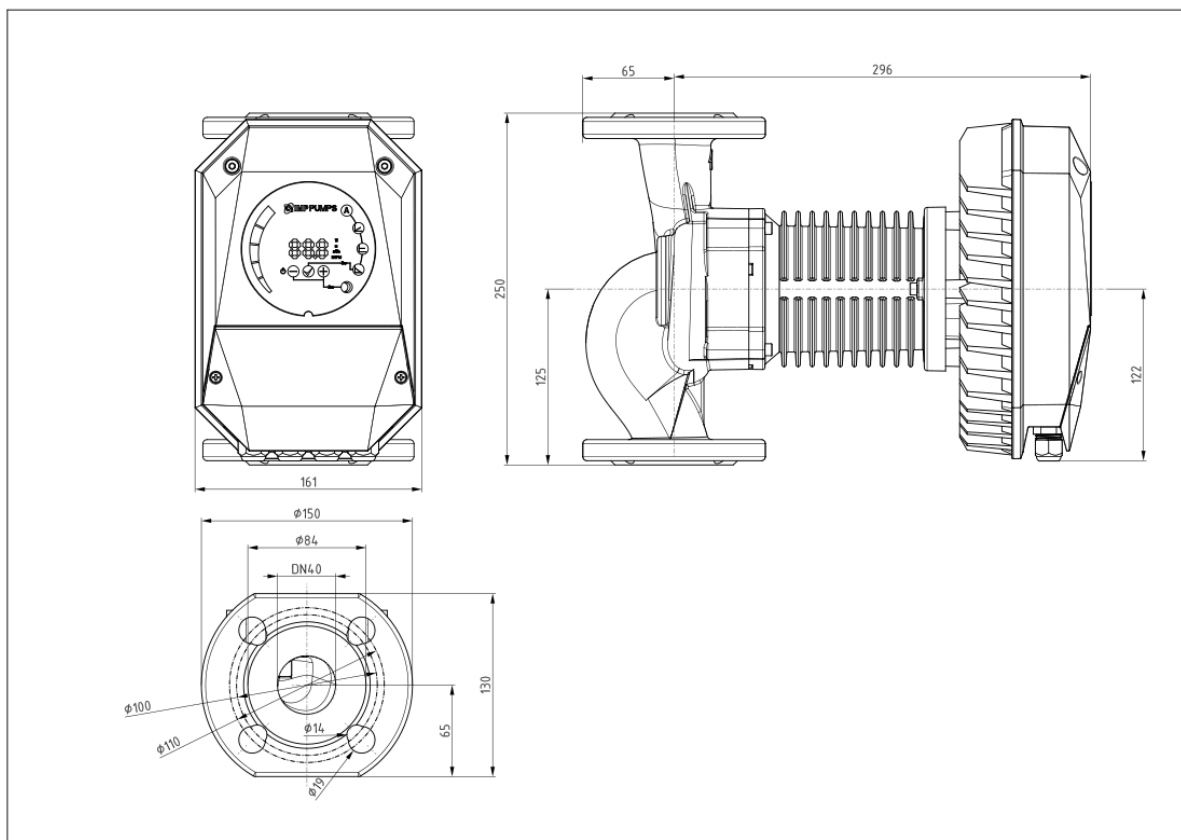


NMT MAX II S 40/80 F250

979527178

NMT MAX II S / Electronically regulated circulating pump with S communication module

Dimensiuni de gabarit



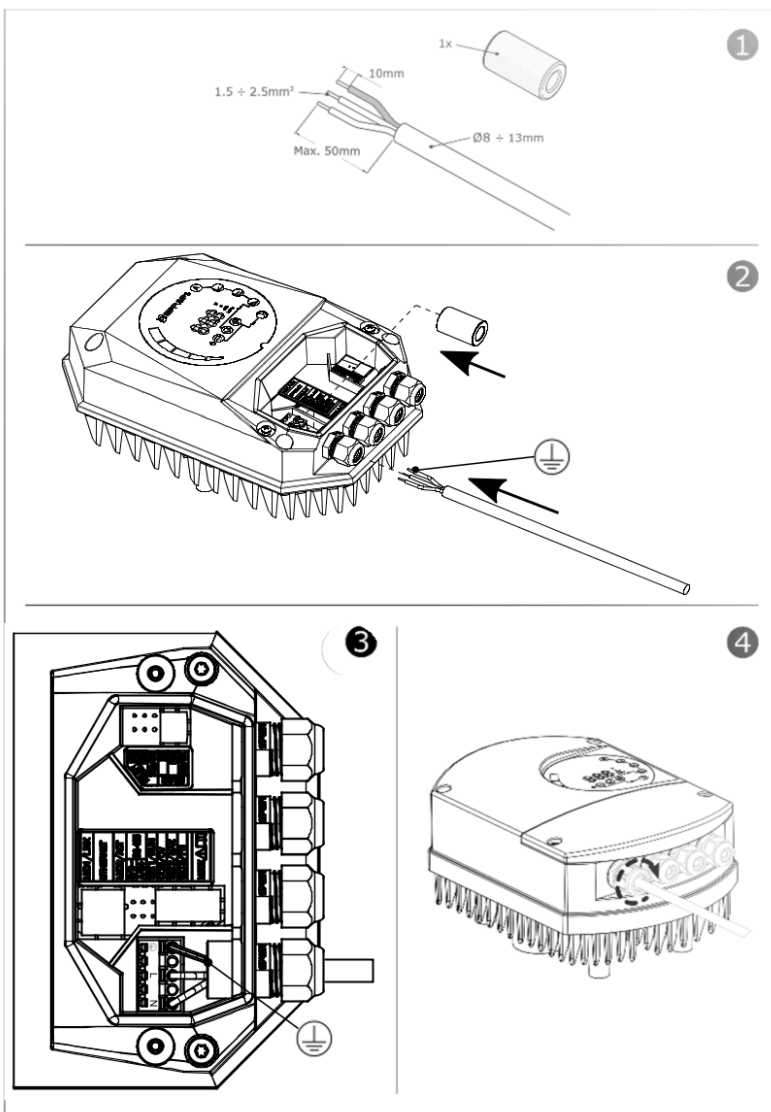


NMT MAX II S 40/80 F250

979527178

NMT MAX II S / Electronically regulated circulating pump with S communication module

Schema electrica





NMT MAX II S 40/80 F250

979527178

NMT MAX II S / Electronically regulated circulating pump with S communication module