



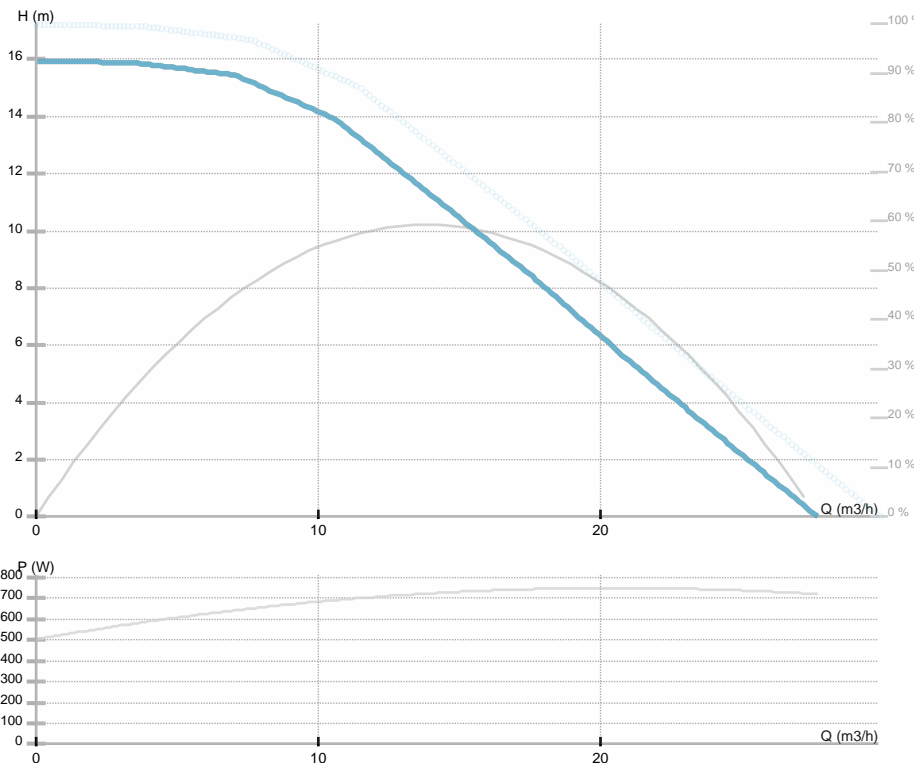
## NMT MAX II S 40/180 F250

979527182

NMT MAX II S / Electronically regulated circulating pump with S communication module

### GENERAL

Seria produsului	<b>979527182</b>		
Part name	<b>NMT MAX II S 40/180 F250</b>		
Seal type	EEl		<b>0,21</b>
Greutate	<b>11,85 [kg]</b>		
H max	<b>16.8 [m]</b>	H min	<b>0.0 [m]</b>
Q max	<b>25.59 [m3/h]</b>	Q min	<b>0.0 [m3/h]</b>
Nivelul functional de zgomot [dB(A)]	<b>≤43 dB(A)</b>		



### ELECTRICAL DATA

Alimentare	<b>1~230 V</b>
Frecventa	<b>50/60 Hz</b>
Consumul de energie	<b>680 [w]</b>
Rotatii pe minut RPM	<b>5300 [1/min]</b>
Clasa de izolatie	<b>H</b>
Consum curent	<b>3.4 [A]</b>
Protectie	<b>IP44</b>
Thermal protection	<b>NTC</b>
Frame size	

### INSTALLATION

Fluide aprobate	<b>Water VDI 2035, glycol 40%</b>
Temperatura agentului	<b>-10.0 ÷ 110.0 [°C]</b>
Temperatura maxima ambientala	<b>40 deg C</b>
Distanta intre axe	<b>250 [mm]</b>
DN	<b>40 [mm]</b>
Racord	<b>PN 6/10</b>
Conexiune	<b>PN 6/10</b>
Presiune maxima	<b>1.0 MPa</b>

### MATERIAL

Materialul rulmentului	<b>Grafit</b>
Materialul elicei	<b>PES GF 30</b>
Materialul hidraulic	<b>Fonta</b>
Materialul axului	<b>AISI 420</b>



IMP PUMPS d.o.o. Pod hrasti 28 SI - 1218 Komenda Slovenia Phone: +386 (0)1 28 06 400 Fax: +386 (0)1 28 06 460

Motor i e class

---

## **NMT MAX II S 40/180 F250**

979527182

NMT MAX II S / Electronically regulated circulating pump with S communication module



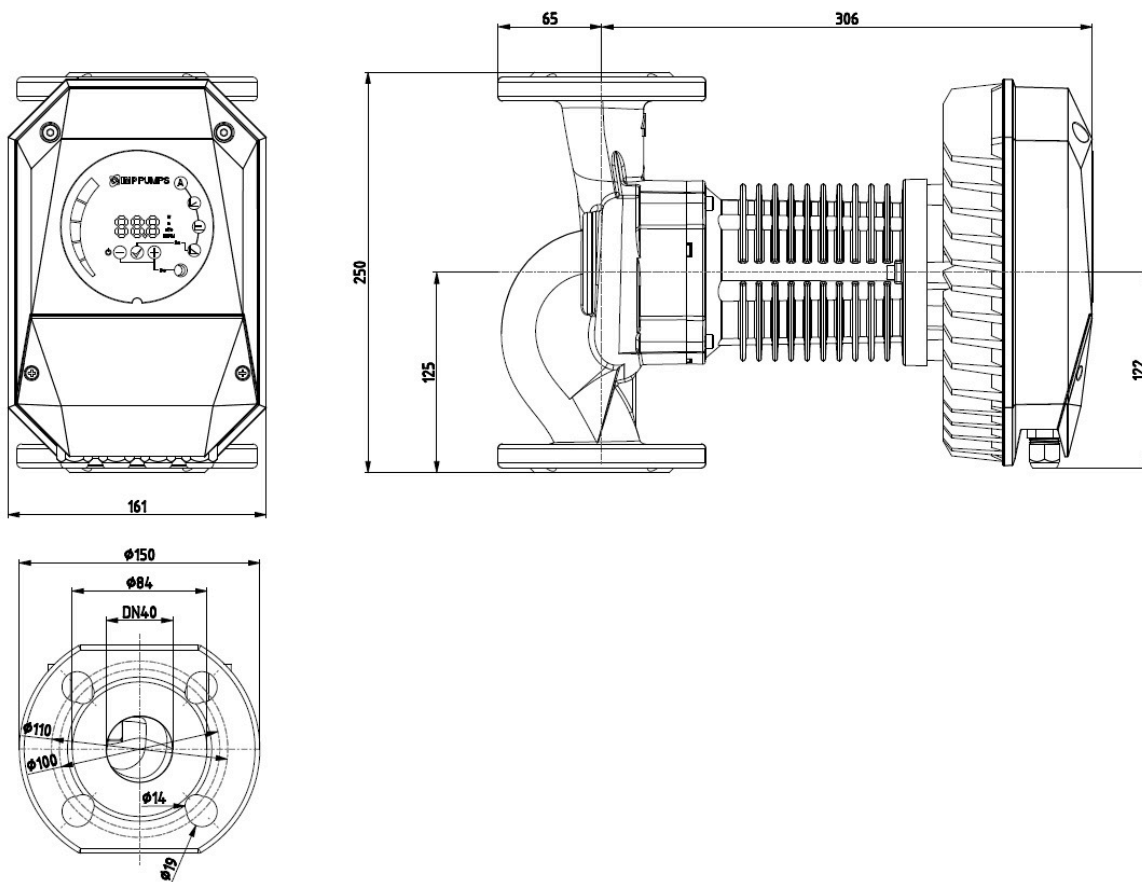


## NMT MAX II S 40/180 F250

979527182

NMT MAX II S / Electronically regulated circulating pump with S communication module

Dimensiuni de gabarit



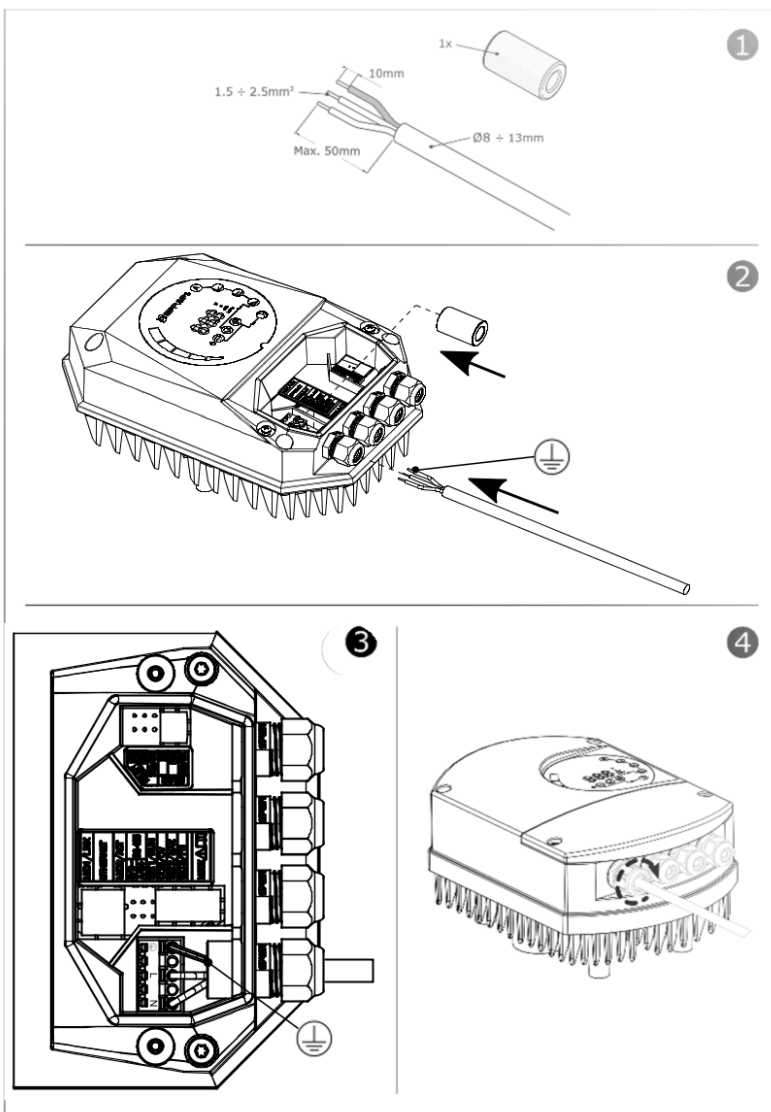


## NMT MAX II S 40/180 F250

979527182

NMT MAX II S / Electronically regulated circulating pump with S communication module

### Schema electrica





## **NMT MAX II S 40/180 F250**

979527182

NMT MAX II S / Electronically regulated circulating pump with S communication module