



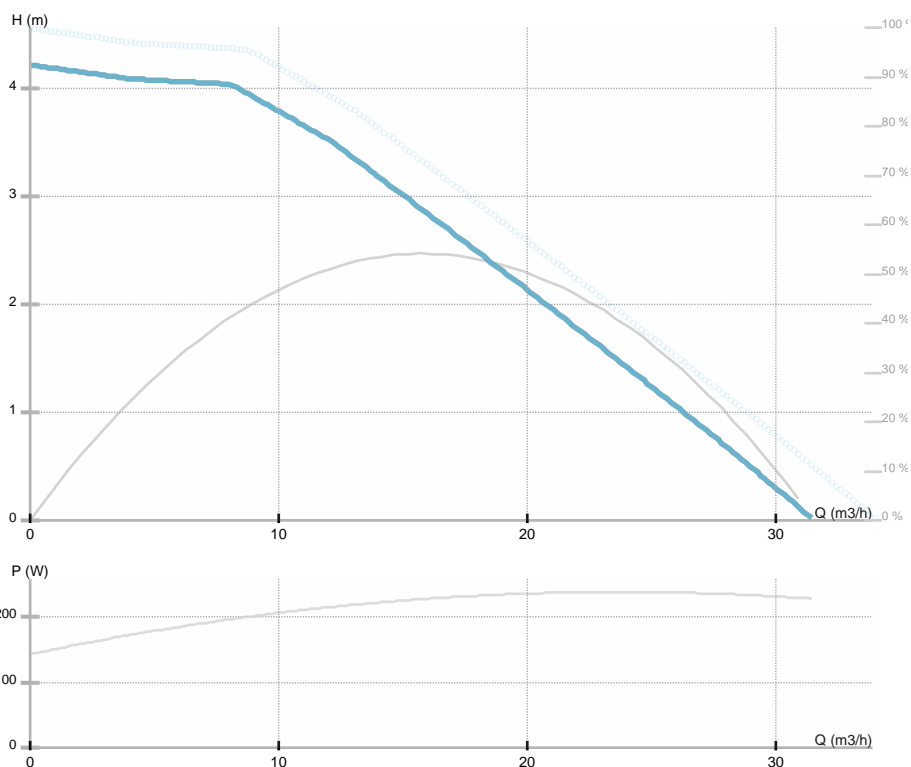
NMT MAX II S 65/40 F340

979527187

NMT MAX II S / Electronically regulated circulating pump with S communication module

GENERAL

Seria produsului	979527187		
Part name	NMT MAX II S 65/40 F340		
Seal type	EEI		0,2
Greutate	17,90 [kg]		
H max	4.22 [m]	H min	0.0 [m]
Q max	31.48 [m3/h]	Q min	0.0 [m3/h]
	[%]		
Nivelul functional de zgomot [dB(A)]	≤43 dB(A)		



ELECTRICAL DATA

Alimentare	1~230 V
Frecventa	50/60 Hz
Consumul de energie	230 [w]
Rotatii pe minut RPM	2300 [1/min]
Clasa de izolatie	H
Consum curent	1.1 [A]
Protectie	IP44
Thermal protection	NTC
Frame size	

INSTALLATION

Fluide aprobate	Water VDI 2035, glycol 40%
Temperatura agentului	-10.0 ÷ 110.0 [°C]
Temperatura maxima ambientala	40 deg C
Distanta intre axe	340 [mm]
DN	65 [mm]
Racord	PN 6/10
Conexiune	PN 6/10
Presiune maxima	1.0 MPa

MATERIAL

Materialul rulmentului	Grafit
Materialul elicei	PES GF 30
Materialul hidraulic	Fonta
Materialul axului	AISI 420



IMP PUMPS d.o.o. Pod hrasti 28 SI - 1218 Komenda Slovenia Phone: +386 (0)1 28 06 400 Fax: +386 (0)1 28 06 460

Motor i e class

NMT MAX II S 65/40 F340

979527187

NMT MAX II S / Electronically regulated circulating pump with S communication module



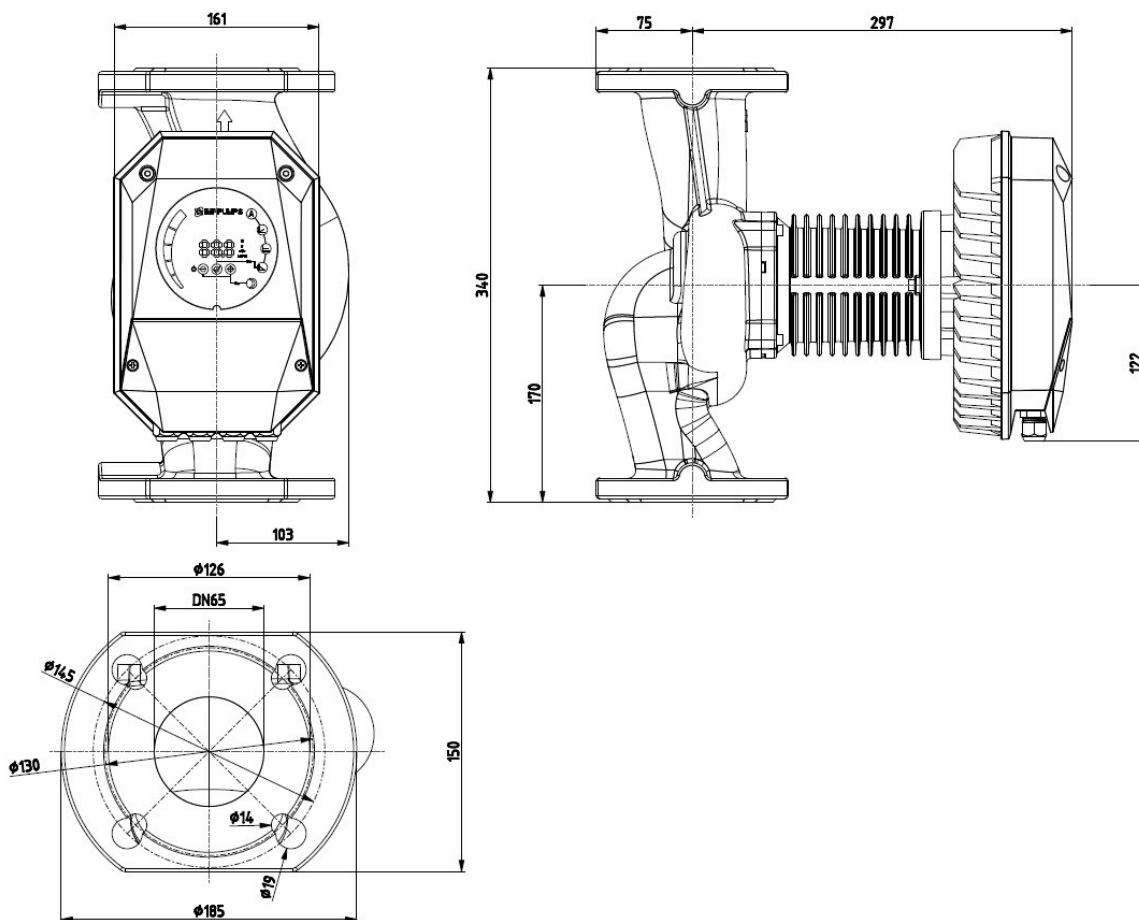


NMT MAX II S 65/40 F340

979527187

NMT MAX II S / Electronically regulated circulating pump with S communication module

Dimensiuni de gabarit



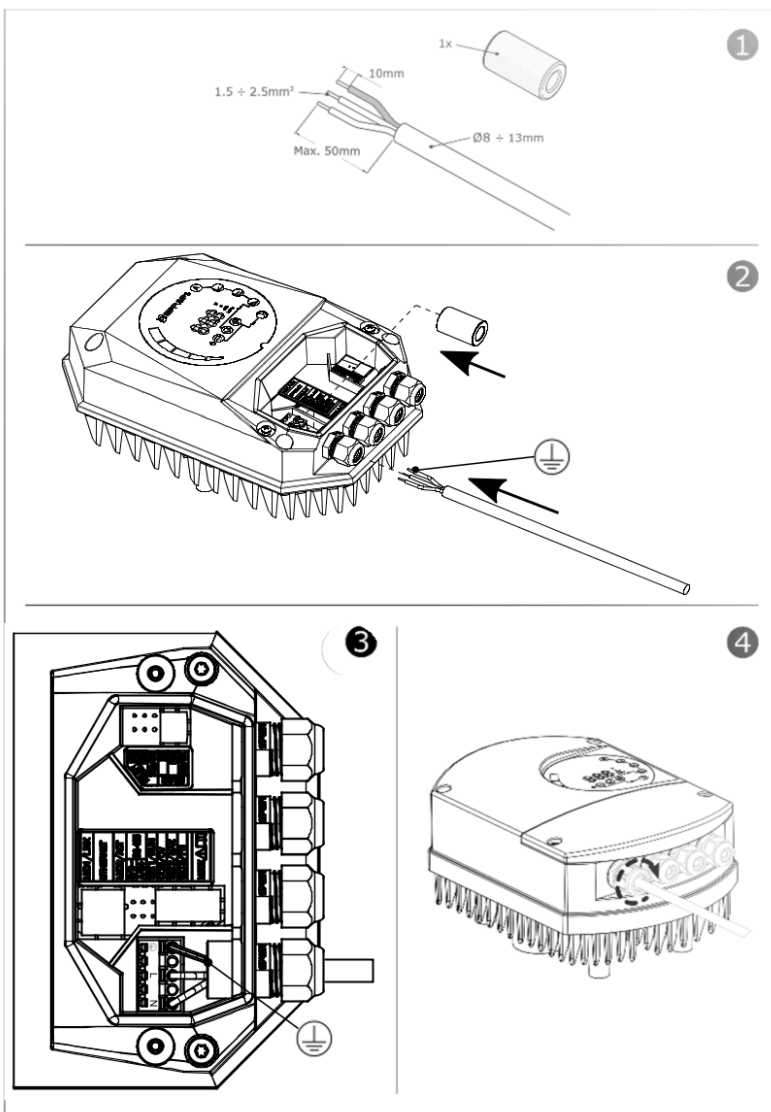


NMT MAX II S 65/40 F340

979527187

NMT MAX II S / Electronically regulated circulating pump with S communication module

Schema electrica





NMT MAX II S 65/40 F340

979527187

NMT MAX II S / Electronically regulated circulating pump with S communication module