



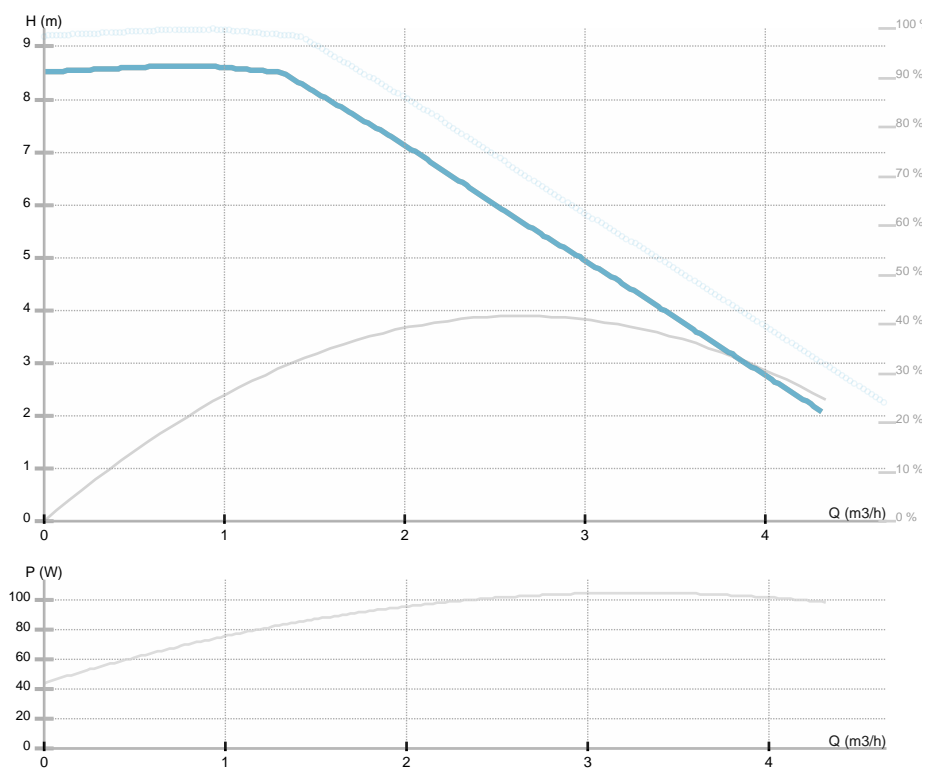
NMTD PLUS 32/90-180

979525238

NMTD PLUS / Electronically regulated double circulation pumps
 Heating/cooling

GENERAL

Seria produsului	979525238		
Part name	NMTD PLUS 32/90-180		
Seal type	EEl		0,23
Greutate	5,20 [kg]		
H max	8.52 [m]	H min	0.0 [m]
Q max	4.5 [m3/h]	Q min	0.0 [m3/h]
	42 [%]		
Nivelul functional de zgomot [dB(A)]	≤43 dB(A)		



ELECTRICAL DATA

Alimentare	1~230 V
Frecventa	50 Hz
Consumul de energie	100 [w]
Rotatii pe minut RPM	5000 [1/min]
Clasa de izolatie	F
Consum curent	0.5 [A]
Protectie	IP44
Thermal protection	
Frame size	
Motor i e class	

INSTALLATION

Fluide aprobate	Water VDI 2035, glycol 40%
Temperatura agentului	-10.0 ÷ 110.0 [°C]
Temperatura maxima ambientala	40 deg C
Distanta intre axe	180 [mm]
DN	32 [mm]
Racord	G 2
Conexiune	G 2
Presiune maxima	1.0 MPa

MATERIAL

Materialul rulmentului	Ceramica
Materialul elicei	Noryl 1630V
Materialul hidraulic	Fonta
Materialul axului	Ceramica

NMTD PLUS 32/90-180

979525238

NMTD PLUS / Electronically regulated double circulation pumps

Heating/cooling



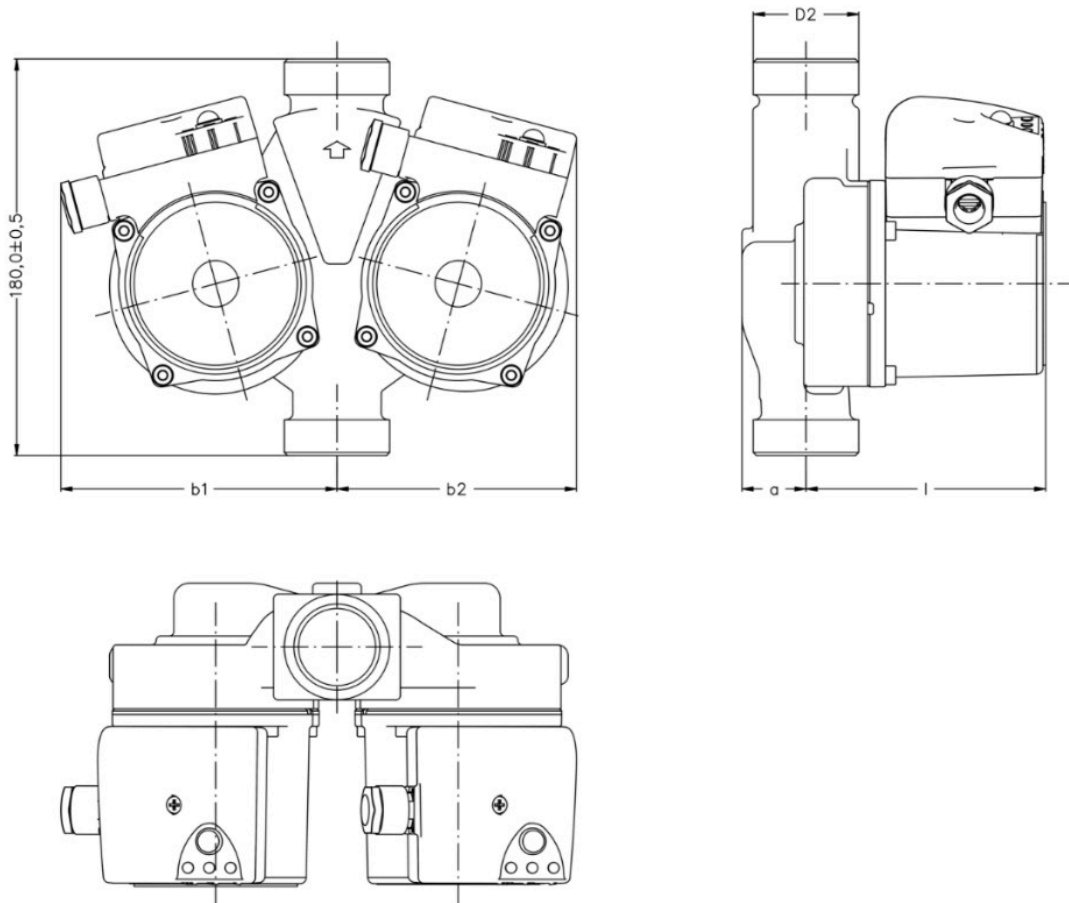


NMTD PLUS 32/90-180

979525238

NMTD PLUS / Electronically regulated double circulation pumps
Heating/cooling

Dimensiuni de gabarit



L=180 DN=32 b1=125 b2=108 l=108 a=29 D2=2

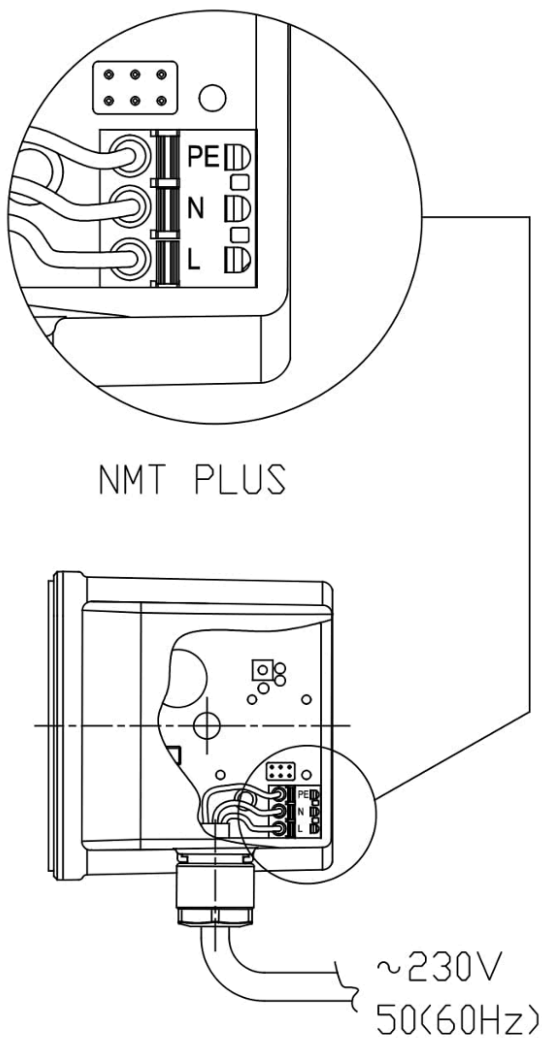


NMTD PLUS 32/90-180

979525238

NMTD PLUS / Electronically regulated double circulation pumps
Heating/cooling

Schema electrica





NMTD PLUS 32/90-180

979525238

NMTD PLUS / Electronically regulated double circulation pumps
Heating/cooling