



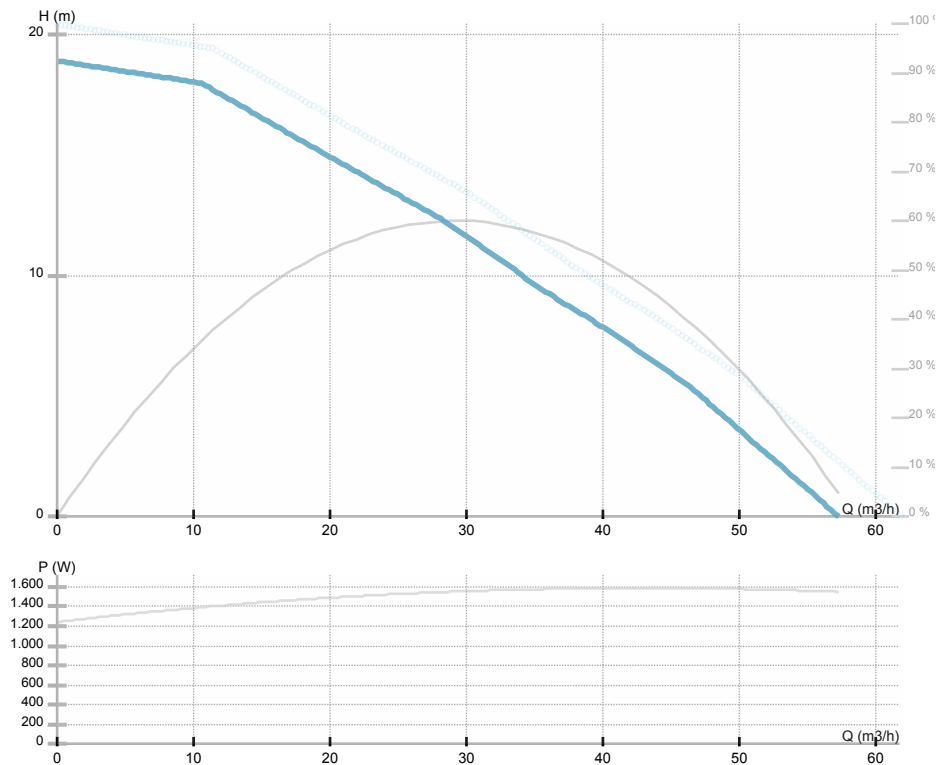
NMT MAX II C 65/180 F340

979528244

NMT MAX II C / Flanged pump with communication module

GENERAL

Seria produsului	979528244		
Part name	NMT MAX II C 65/180 F340		
Seal type	EEI		0,2
Greutate	23,40 [kg]		
H max	18.9 [m]	H min	0.0 [m]
Q max	57.4 [m3/h]	Q min	0.0 [m3/h]
	[%]		
Nivelul functional de zgomot [dB(A)]	≤43 dB(A)		



ELECTRICAL DATA

Alimentare	1~230 V
Frecventa	50/60 Hz
Consumul de energie	1550 [w]
Rotatii pe minut RPM	4900 [1/min]
Clasa de izolatie	H (180) [°C]
Consum curent	6.6 [A]
Protectie	IP44
Thermal protection	NTC
Frame size	

INSTALLATION

Fluide aprobate	Water VDI 2035, glycol 40%
Temperatura agentului	-10.0 ÷ 110.0 [°C]
Temperatura maxima ambientala	40 deg C
Distanta intre axe	340 [mm]
DN	65
Racord	PN 6/10
Conexiune	PN 6/10
Presiune maxima	1.0 MPa

MATERIAL

Materialul rulmentului	Grafit
Materialul elicei	PES GF 30
Materialul hidraulic	Fonta
Materialul axului	AISI 420

NMT MAX II C 65/180 F340

979528244

NMT MAX II C / Flanged pump with communication module



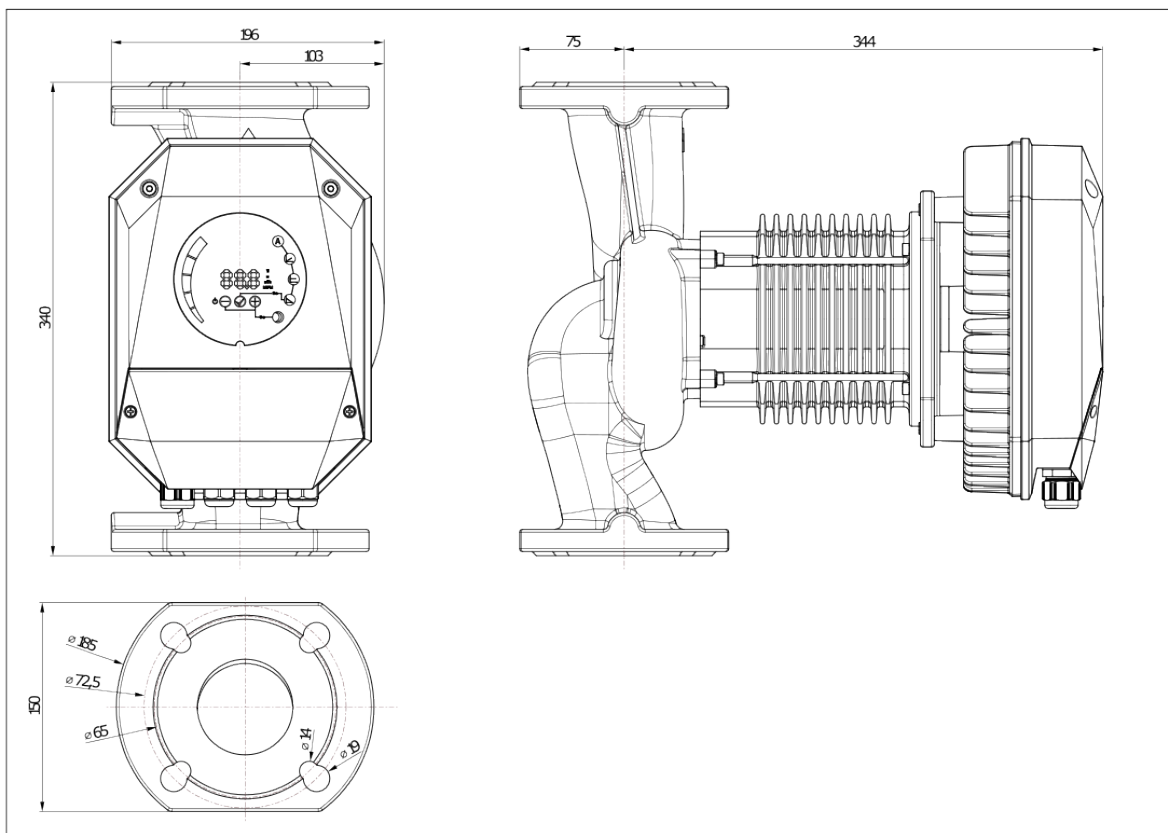


NMT MAX II C 65/180 F340

979528244

NMT MAX II C / Flanged pump with communication module

Dimensiuni de gabarit



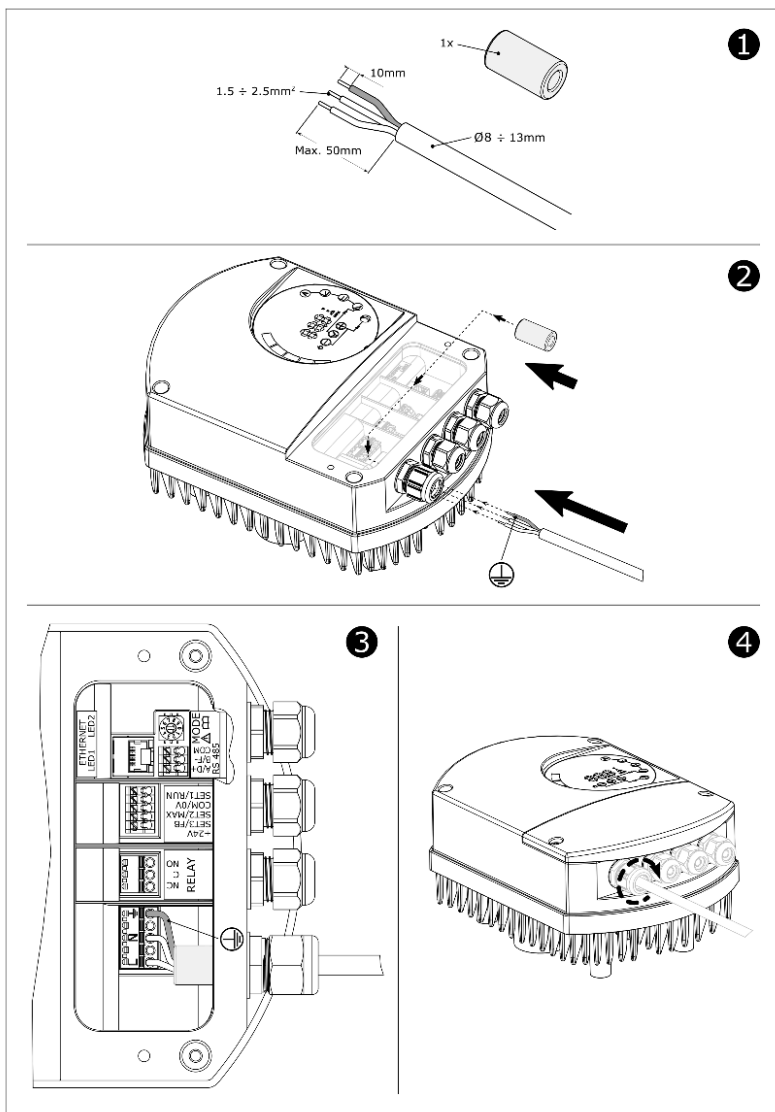


NMT MAX II C 65/180 F340

979528244

NMT MAX II C / Flanged pump with communication module

Schema electrica





NMT MAX II C 65/180 F340

979528244

NMT MAX II C / Flanged pump with communication module