



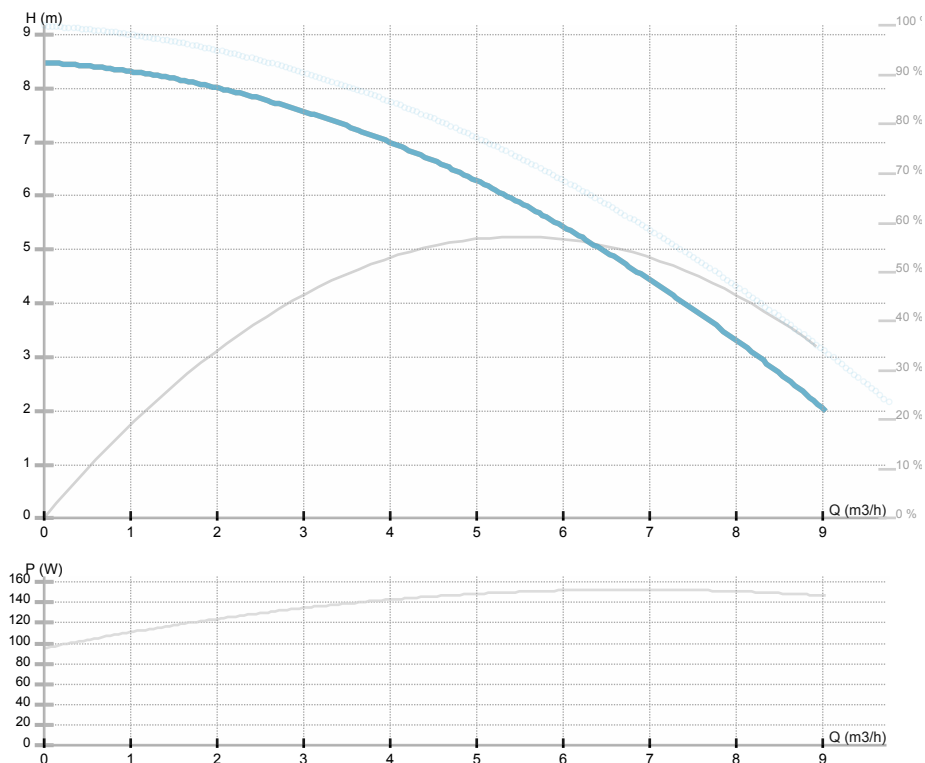
NMT SMART II 25/80-180

979528385

NMT SMART / Electronically regulated circulating pump

GENERAL

Seria produsului	979528385		
Product name	NMT SMART II 25/80-180		
Seal type	EEl		0,18
Greutate	2,75 kg		
H max	8.5 m	H min	0.0 m
Q max	11.6 m3/h	Q min	0.0 m3/h
	%		
Nivelul functional de zgomot [dB(A)]	≤43 dB(A)		



ELECTRICAL DATA

Alimentare	1~230 V
Frecventa	50/60 Hz
Consumul de energie	145 W
Rotatii pe minut RPM	6000 rpm
Clasa de izolatie	F (155 °C)
Consum curent	1.1 A
Protectie	IP44
Thermal protection	NTC
Frame size	

INSTALLATION

Fluide aprobate	Water VDI 2035, glycol 40%
Temperatura agentului	-10.0 ÷ 110.0 °C
Temperatura maxima ambientala	40 °C
Distanta intre axe	180 mm
DN	25
Racord	G 1 ½
Conexiune	G 1 ½

MATERIAL

Materialul rulmentului	Grafit
Materialul elicei	PES GF 30
Materialul hidraulic	Fonta
Materialul axului	AISI 420



IMP PUMPS d.o.o. Pod hrasti 28 SI - 1218 Komenda Slovenia Phone: +386 (0)1 28 06 400 Fax: +386 (0)1 28 06 460

Motor i e class

Presiune maxima

1.0 MPa

NMT SMART II 25/80-180

979528385

NMT SMART / Electronically regulated circulating pump



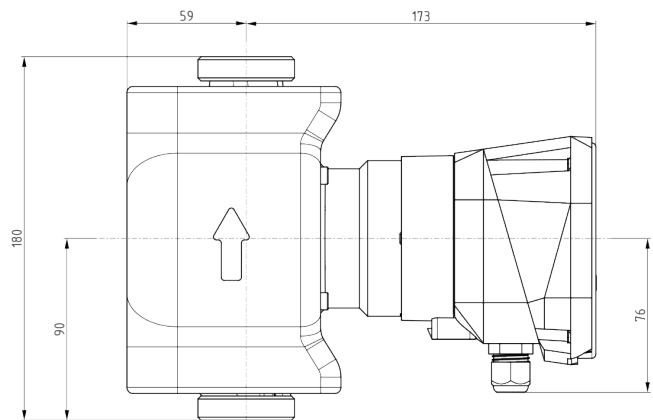
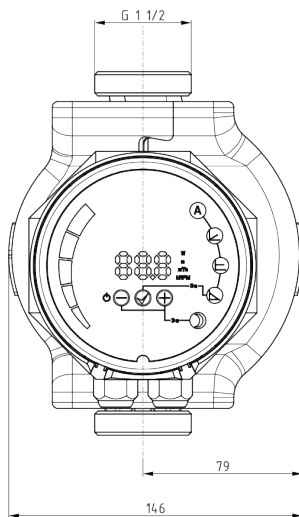


NMT SMART II 25/80-180

979528385

NMT SMART / Electronically regulated circulating pump

Dimensiuni de gabarit



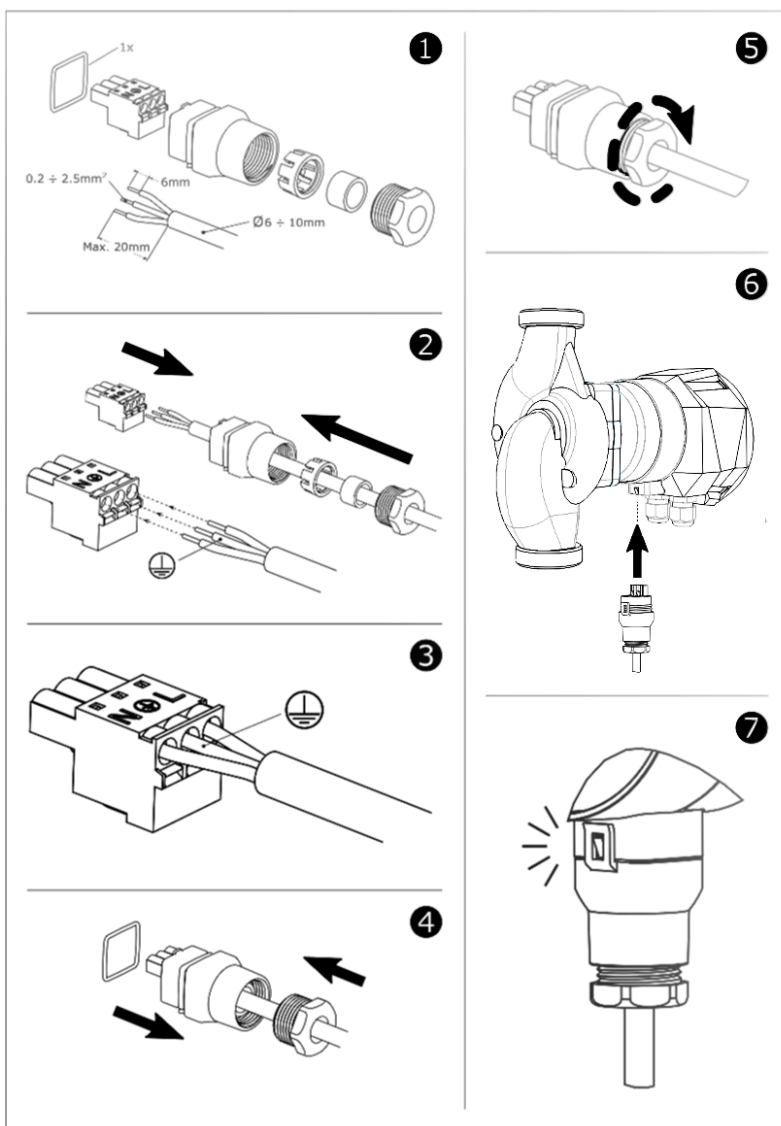


NMT SMART II 25/80-180

979528385

NMT SMART / Electronically regulated circulating pump

Schema electrica





NMT SMART II 25/80-180

979528385

NMT SMART / Electronically regulated circulating pump