



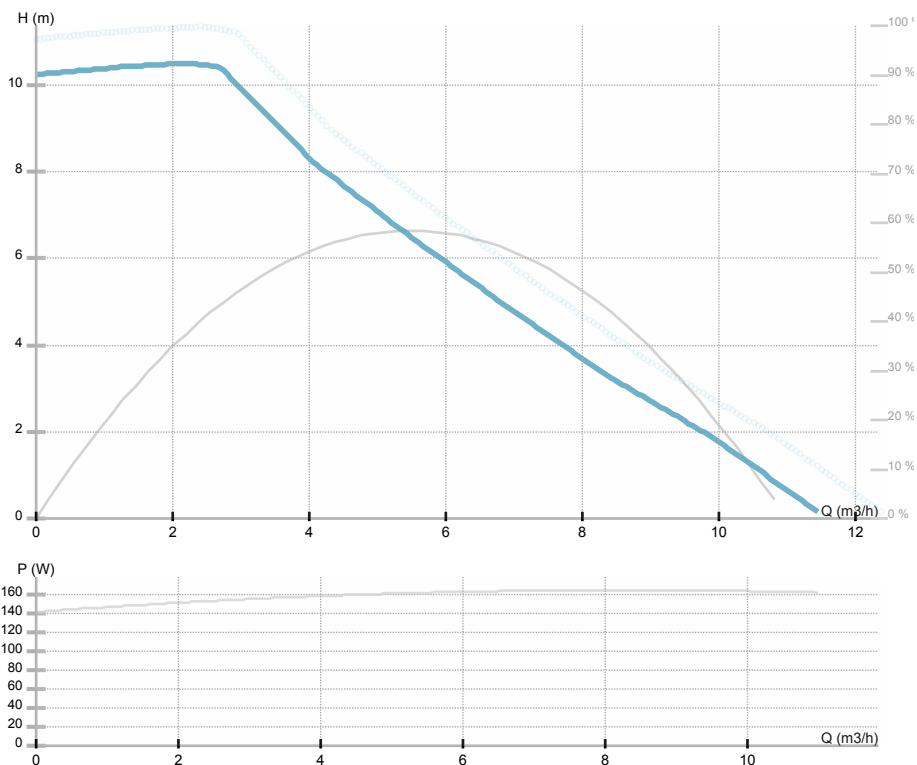
NMTD SMART II 32/100-180

979528531

NMTD SMART II / Threaded twin pump

GENERAL

Seria produsului	979528531		
Product name	NMTD SMART II 32/100-180		
Seal type	EEl		0,18
Greutate	6,13 kg		
H max	10.5 m	H min	0.0 m
Q max	11.9 m3/h	Q min	0.0 m3/h
	%		
Nivelul functional de zgomot [dB(A)]	≤43 dB(A)		



ELECTRICAL DATA

Alimentare	1~230 V
Frecventa	50/60 Hz
Consumul de energie	160 W
Rotatii pe minut RPM	6700 rpm
Clasa de izolatie	F (155 °C)
Consum curent	1.2 A
Protectie	IP44
Thermal protection	NTC
Frame size	
Motor i e class	

INSTALLATION

Fluide aprobate	Water VDI 2035, glycol 40%
Temperatura agentului	-10.0 ÷ 110.0 °C
Temperatura maxima ambientala	40 °C
Distanta intre axe	180 mm
DN	32
Racord	G 2
Conexiune	G 2
Presiune maxima	1.0 MPa

MATERIAL

Materialul rulmentului	Grafit fara plumb
Materialul elicei	PES GF 30
Materialul hidraulic	Fonta
Materialul axului	AISI 420

NMTD SMART II 32/100-180

979528531

NMTD SMART II / Threaded twin pump



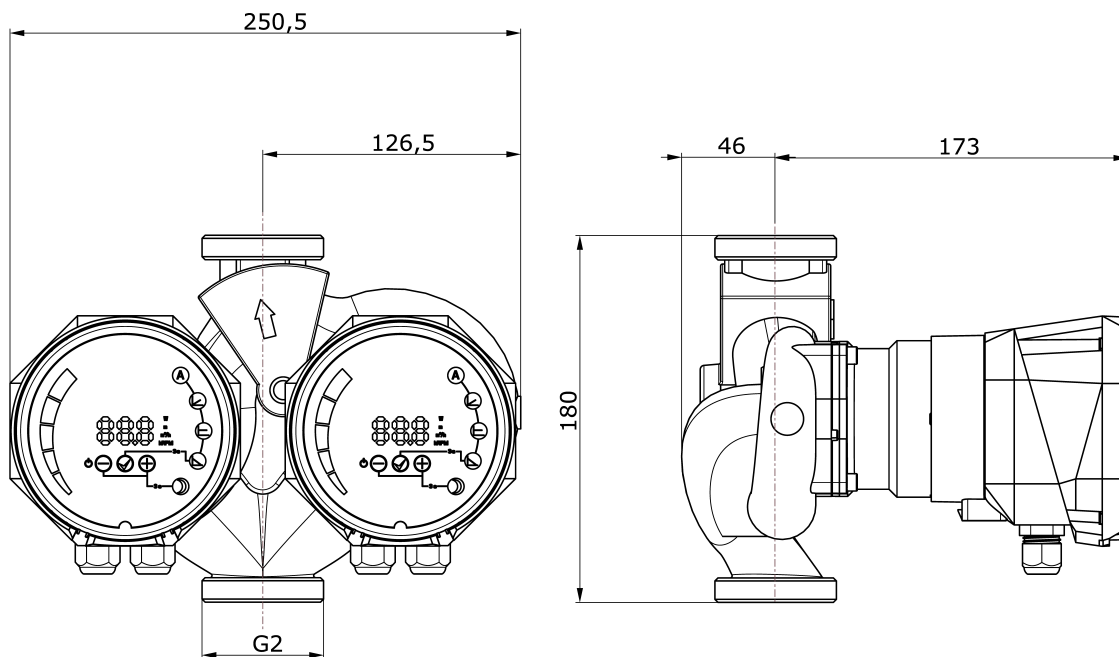


NMTD SMART II 32/100-180

979528531

NMTD SMART II / Threaded twin pump

Dimensiuni de gabarit



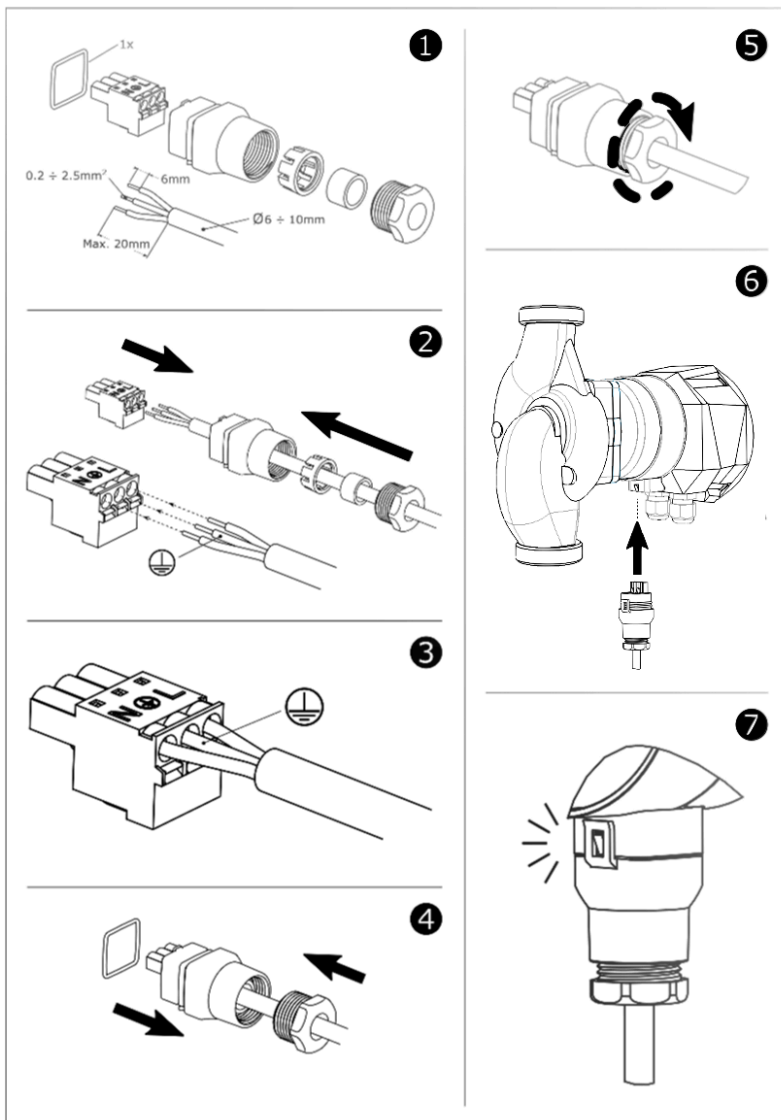


NMTD SMART II 32/100-180

979528531

NMTD SMART II / Threaded twin pump

Schema electrica





NMTD SMART II 32/100-180

979528531

NMTD SMART II / Threaded twin pump