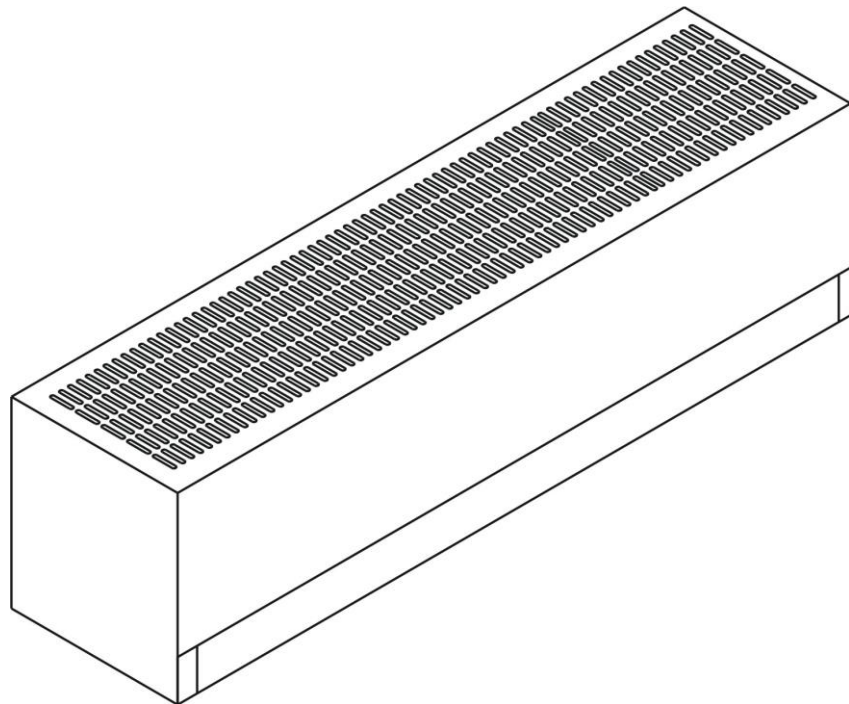


# **AIR CURTAIN**

## **USER'S GUIDER**

**MODEL: RM-3009-S -W**  
**RM-3010-S -W**  
**RM-3012-S -W**  
**RM-3015-S -W**  
**RM-3020-S -W**  
**RM-3009-S/Y-W**  
**RM-3010-S/Y-W**  
**RM-3012-S/Y-W**  
**RM-3015-S/Y-W**  
**RM-3020-S/Y-W**



THANKS FOR PURCHASING AIR CURTAIN, PLEASE READ IT CAREFULLY BEFORE USING.

## 1、PRODUCT INTRODUCTION

As one of the new top-class products for modern decoration, air curtain is also matched with the air-conditioner. And it is installed at the entrances of large working shop and storeroom to prevent the dust, mosquito and nocuous air, and so on.

Heating by hot water for this unit ,but not by electric power. It is a cooling air curtain when turning off the hot water source.

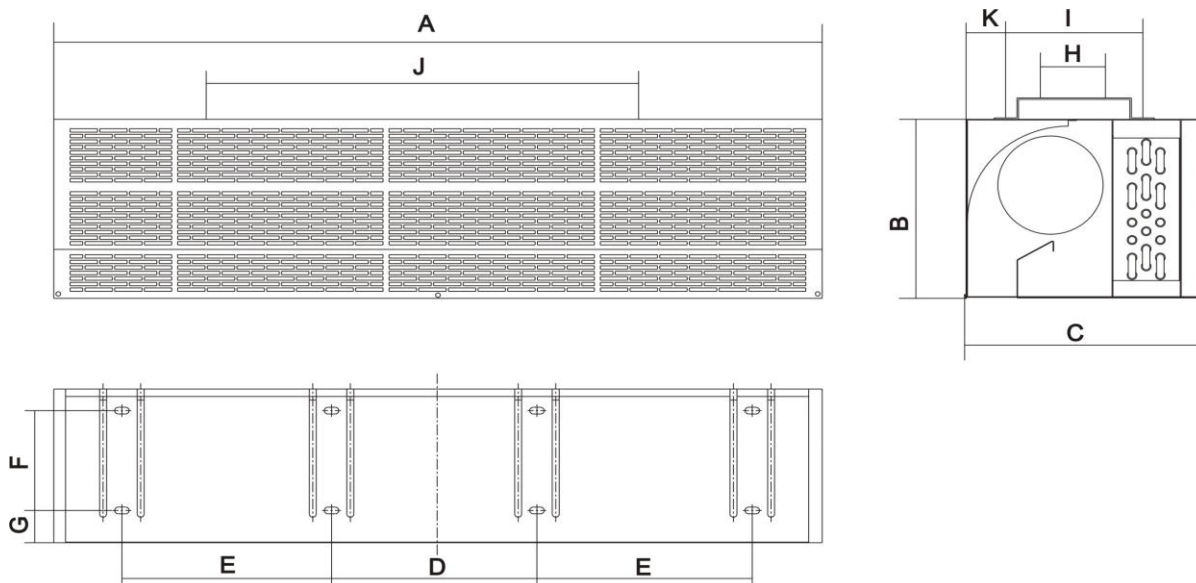
The unit's pressure range: 1.8~2.0Mpa

The unit must install indoor! And it must have the measure of keeping temperature to avoid breach the changer for freezing.

Please install the unit by professional for your right!

Please read the unit's user guide carefully before using, and keep them safely.

## 2、 IDENTIFICATION & INSTALLATION DIMENSIONS



MODEL	A	B	C	D	E	F	G	H	I	J	K
RM-3009-S-W	900	302	345	240	290	191	57	110	180	620	50
RM-3009-S/Y-W											
RM-3010-S-W	1000	302	345	292	290	191	57	110	180	720	50
RM-3010-S/Y-W											
RM-3012-S-W	1200	302	345	300	415	191	57	110	180	920	50
RM-3012-S/Y-W											
RM-3015-S-W	1450	302	345	485	400	191	57	110	180	1000	50
RM-3015-S/Y-W											
RM-3020-S-W	2010	302	345	635	550	191	57	110	180	1500	50
RM-3020-S/Y-W											

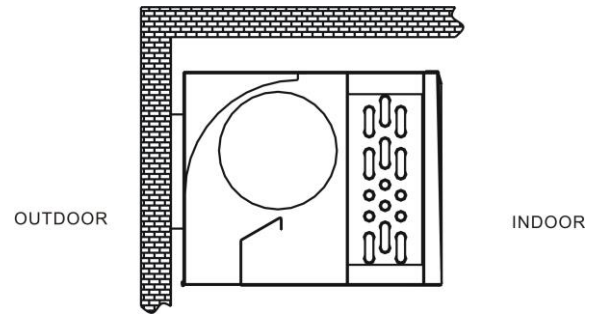
## 3、 INSTALLATION CAUTION

Must follow the following asking when installing air curtain:

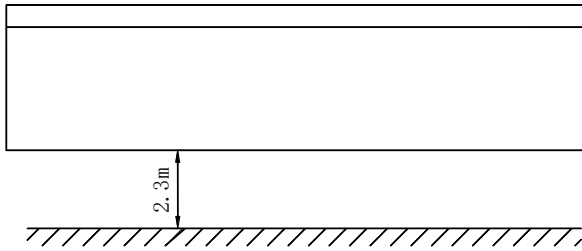
Please install the unit in a sturdy place to avoid the shaking and ensure its security (because it maybe causes the wall becoming flexible or shaking and noise.



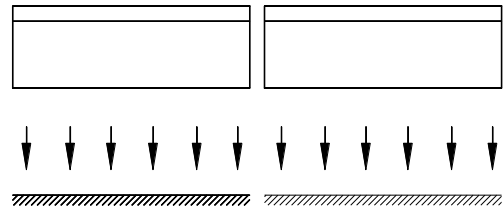
Please install the unit inside the room.



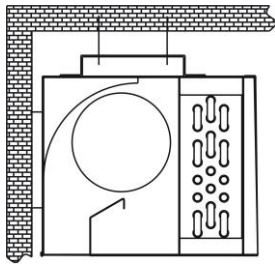
Don't install the unit too low, no less than 2.3 meter from the ground.



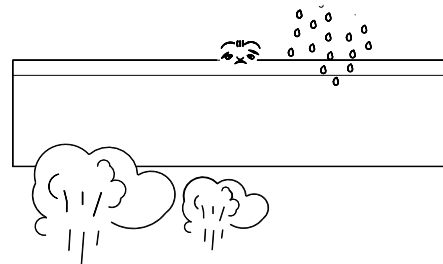
When the entrance is wider than the unit, it is recommended to install two or more units in parallel. In this case, provide 20-40mm gaps between the units.



Don't allow gaps between the unit and the wall. When hanging it from the ceiling, using the enclosed ceiling brackets.



Don't install the unit in a place where it is splashed by water, exposed to excessive steam, explosive gas or corrosive gas.

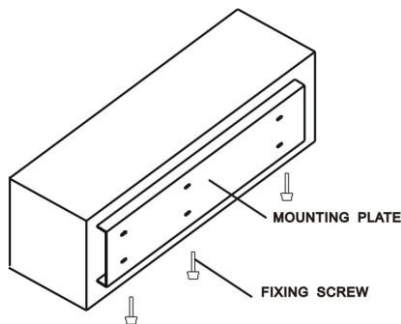


#### 4、 INSTALLATION

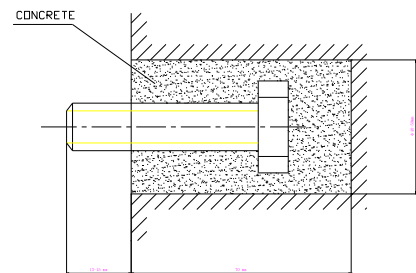
A、 Installing on the concrete wall:

Removed the mounting plate

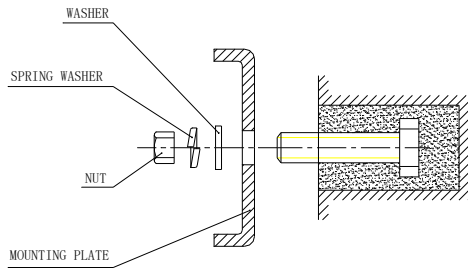
Unclamping the fixed screws on the back of main body to removed the mounting plate.



Fix the bolts in the proper position (Decide the position with the mounting plate and pour cement into the bolt holes.)

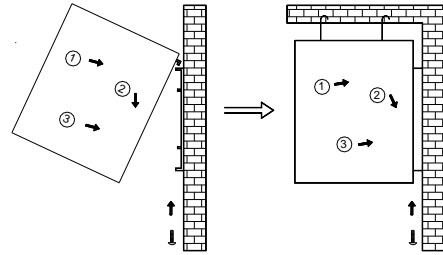


When the cement has freeze, fit the mounting plate (use the washer and nut according to the following)



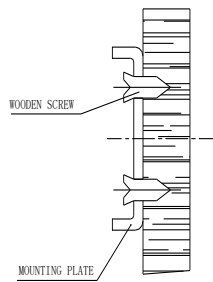
Install the main body

Set the main body onto the upper end of the mounting plate and clamp it as shown and connecting the piping of hot water.

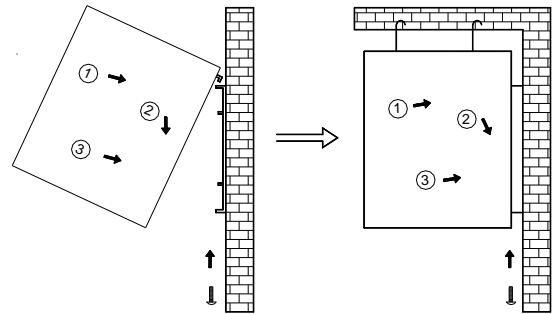


### B、Installing on the wooden wall

Fix the mounting plate in the proper positions with tapping screw.

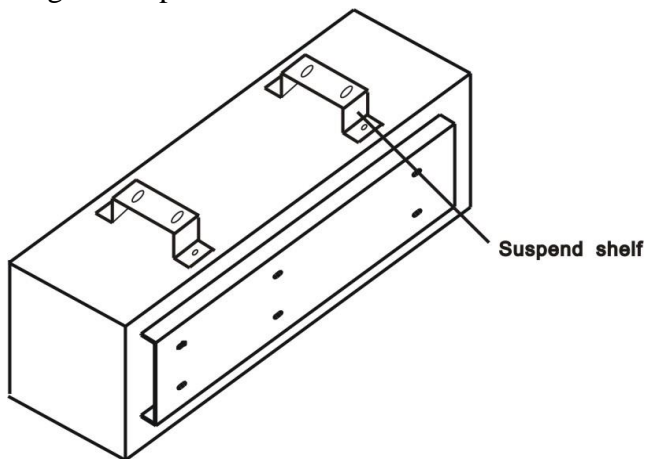


Same as the step of Installing on the concrete wall

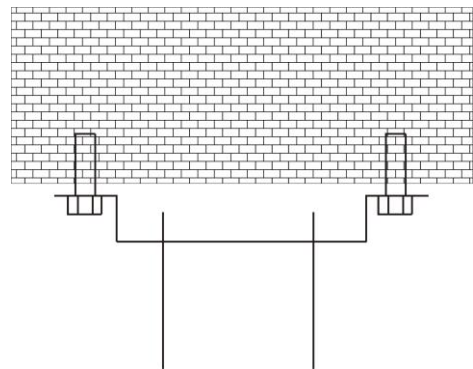


### C、Hanging from the ceiling

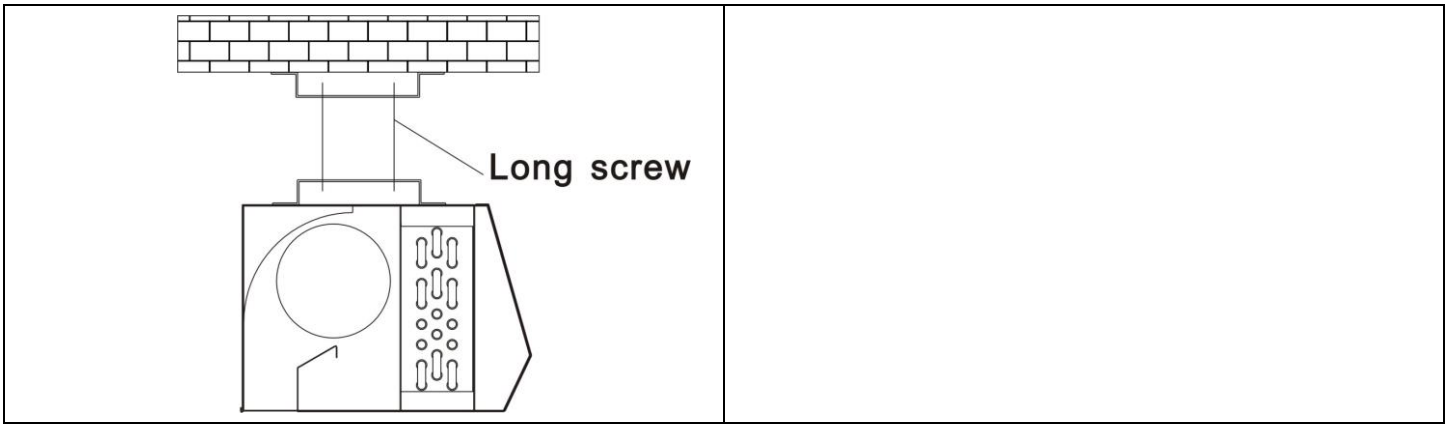
Fixing the suspend shelf on the back of the air curtain.



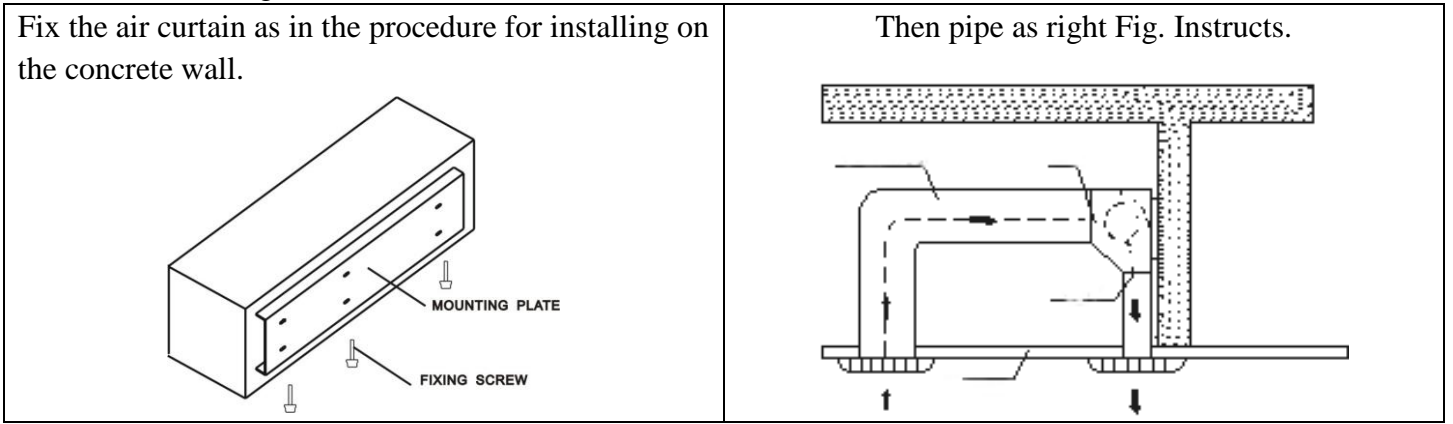
Fixing the other suspend shelf on the ceiling as Fig.



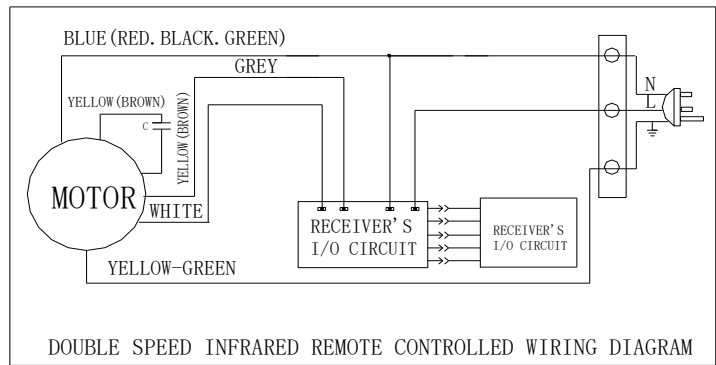
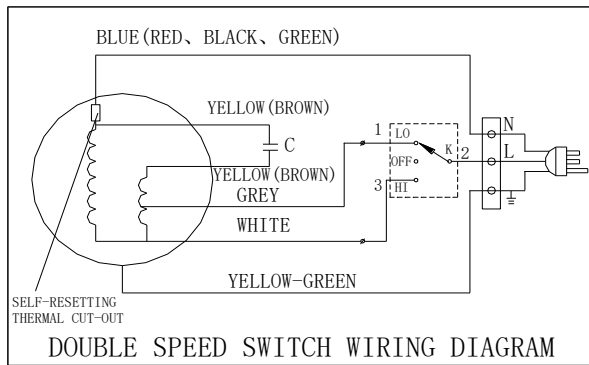
Screw the air curtain and suspend shelf on the ceiling using long screw.



D、 For above ceiling



5、 ELECTRIC WORK



6、 TECHNICAL PARAMETER

MODEL	V~ Hz	W	MAX AIR SPEED m/s		AIR VOLUME m <sup>3</sup> /h		NOISE dB	WEIGHT Kg	IN TEMP. °C	IN/OUT WATER TEMP. 100-65°C					IN/OUT WATER TEMP. 90-60°C					IN/OUT WATER TEMP. 85-55°C				
			H	L	H	L				WATER SPEED m/s	WATER WIGHT Kg/h	WATER PRESSURE Pa	WATER TEMP. °C	HOT POWER KW	WATER SPEED m/s	WATER WIGHT Kg/h	WATER PRESSURE Pa	WATER TEMP. °C	HOT POWER KW	WATER SPEED m/s	WATER WIGHT Kg/h	WATER PRESSURE Pa	WATER TEMP. °C	HOT POWER KW
RM-3009-S-W RM-3009-S/Y-W	220/ 50	320	11	8.5	1450	1050	<55	27	15	0.44	790	1832	53	16	0.35	628	1460	49	14.5	0.40	725	1680	47	12.5
RM-3010-S-W RM-3010-S/Y-W	220/ 50	350	11	8.5	1600	1200	<55	30	15	0.49	878	2036	53	17.5	0.39	698	1620	49	16	0.45	805	1870	47	14
RM-3012-S-W RM-3012-S/Y-W	220/ 50	400	11	8.5	1950	1500	<57	34	15	0.54	940	1740	53	22	0.44	750	1750	49	19.5	0.50	856	2050	47	17
RM-3015-S-W RM-3015-S/Y-W	220/ 50	450	11	8.5	2400	1800	<57	40	15	0.65	1170	2715	53	27	0.52	930	2160	49	24	0.6	1070	2500	47	21
RM-3020-S-W RM-3020-S/Y-W	220/ 50	540	11	8.5	3200	2400	<59	57	15	0.82	1460	3390	53	35	0.65	1160	2700	49	32	0.75	1330	3115	47	28

## **7、 OPERATION**

- Turn on the power switch
- Select the best speed: High[H]、 Low[L]
- According to using to adjust the grate to obtain the best effect.

## **8、 CAUTIONS**

- a)、 Use the unit at the rate voltage and frequency indication on the nameplate.
- b)、 Disconnect power source before unit operation.
- c)、 Routing maintenance must be done every year.
- d)、 Never use petrol,benzese,thinner or any other such chemical for clearing the unit.
- e)、 Don't allow water or anything enter the motor.
- f)、 When power supply comes from socket, the plug must accord with IEC335-1.When the power cord is connected with charging line directly, all polarity switches that the contact gap is 3mm at least must be installed in the charging line.
- g)、 The unit must install indoor! And it must have the measure of keeping temperature to avoid breach the changer for freezing.
- h)、 The unit heating by hot water or steam,in from the bottom tube and out from the top tube. It must have a drain tap in the top tube to drain the air or water.
- i)、 The hot water must be intenerated water.
- j)、 Every operation must drain out the cooling water or air inside the unit. Then turn on the unit after 10 minutes. And draining out all the water in the unit when stopping working.
- k)、 For ensuring the unit's operation, it must supply the hot source continuously.
- l)、 For the safe of the unit, it must not supply the hot source only but do not turn on the unit!
- m)、 Keep the unit clear, cleaning the changer of the unit for some times.