

OPERATING AND INSTALLATION MANUAL

Combined water heaters and tanks for vertical assembly

TANK-TYPE WATER HEATERS

OKC 80
OKC 100
OKC 125

OKC 160
OKC 200

HOT WATER TANKS

OKC 100/1 m²
OKC 125/1 m²

OKC 160/1 m²
OKC 200/1 m²

ARENA
INSTALATIILOR
PROMPTITUDINE · CALITATE · PROFESIONALISM



Družstevní závody Dražice - strojírna s.r.o.
Dražice 69, 294 71 Benátky nad Jizerou
Phone.: +420 / 326 370 990
Fax: +420 / 326 370 980
E-mail: export@dzd.cz

 **DRAŽICE**
MEMBER OF THE NIBE GROUP

CONTENTS

1	PRODUCT TECHNICAL SPECIFICATION.....	4
1.1	FUNCTION DESCRIPTION	4
1.2	ADVICE FOR CUSTOMERS	4
1.2.1	HOT WATER CONSUMPTION	4
1.2.2	ENERGY SAVING.....	4
1.2.3	EMERGENCY POWER CONSUMPTION	4
1.3	DESIGN AND GENERAL HEATER DIMENSIONS.....	5
2	OPERATION AND FITTING INSTRUCTIONS.....	11
2.1	OPERATING CONDITIONS	11
2.2	WALL MOUNTING.....	11
2.3	PLUMBING FIXTURE.....	13
2.4	ELECTRICAL INSTALLATION.....	15
2.4.1	GENERAL INFORMATION FOR ELECTRICAL INSTALLATION	15
2.5	OPERATION.....	16
2.6	FIRST COMMISSIONING.....	16
2.7	PUTTING OUT OF SERVICE, DISCHARGE	17
2.8	INSPECTION, MAINTENANCE & CARE FOR THE APPLIANCE	17
2.9	MOST FREQUENT FUNCTION FAILURES AND THEIR CAUSES	19
3	OPERATION OF THERMOSTAT	20
3.1	SERVICING.....	20
3.1.1	OPERATING DEVICES OF THE HEATER	20
3.1.2	TEMPERATURE SETTING	21
4	IMPORTANT NOTICES.....	22
4.1	INSTALLATION REGULATIONS.....	22
4.2	TRANSPORT & STORAGE INSTRUCTIONS	22
4.3	DISPOSAL OF PACKAGING MATERIAL AND NON-FUNCTIONING PRODUCT.....	23
5	PRODUCT ACCESSORIES	23

CAREFULLY READ THIS MANUAL BEFORE INSTALLING THE WATER HEATER!

Dear Customer,

The Works Cooperative of Dražice - Machine Plant, Ltd., would like to thank you for your decision to use a product of our brand. With this guide, we will introduce you to the use, construction, maintenance and other information on electrical water heaters.



The product is not intended to be controlled by

- a) people (including children) with reduced physical, sensual or mental capacities, or
- b) people with insufficient knowledge and experiences unless supervised by responsible person, or unless properly instructed by such responsible person.

The manufacturer reserves the right for engineering modification of the product. The product is designed for permanent contact with drinkable water.

It is recommended to use the product in indoor environment with air temperatures from +2°C to 45°C and a relative humidity up to 80%.

Product's reliability and safety is proven by tests implemented by the Engineering Test Institute in Brno.

Made in the Czech Republic.

Meaning of pictograms used in the Manual



Important information for heater users.



Abiding by the recommendations of the manufacturer serves to ensure trouble-free operation and the long service life of the product.



Caution!

Important notice to be observed.

ARENA[®]
INSTALATIILOR
PROMPTITUDINE · CALITATE · PROFESIONALISM

1 PRODUCT TECHNICAL SPECIFICATION

1.1 FUNCTION DESCRIPTION

The heater is designed for the so-called accumulation heating of service water by electric energy, or by thermal energy through exchanger. Water is heated by an electric element at a time determined by the electricity supplier, or by a heat exchanger in an enamelled thermally insulated tank. At the time of the heating, the element is controlled by thermostat on which the desired temperature can be set (ranging from 5 and 74°C). Once the selected temperature is reached, heating interrupts automatically. Water accumulated in the tank is then used for the consumption. The tank keeps constant pressure of water from the water main. If the combination faucet hot water valve is opened, water from the water supply conduit pressed out by cold water pressure flows out of the heater. Hot water flows out through the top part, and water flowing in remains in the bottom part of the heater. The pressure principle allows hot water withdrawal at any place from the heater (Figure 10).

1.2 ADVICE FOR CUSTOMERS

1.2.1 HOT WATER CONSUMPTION



Consumption of hot water in households depends on the number of people, amount of sanitary equipment, length, diameter and insulation of piping in the flat, or on individual habits of users. The cheapest option of water heating comes at the time when the electricity rate is reduced.



Find out in what time intervals your electricity supplier provides reduced tariff and, depending on that information, select relevant volume and power input of the heater so that your hot water consumption covered the needs of your household.

1.2.2 ENERGY SAVING



Hot utility water reservoir is insulated by means of top-quality polyurethane foam with zero CFCs content. Adjust the temperature of the heater's thermostat to that level only that you need to run your home. Thus you will reduce electricity consumption, as well as the amount of lime sediments on the walls of the receptacle and on the heat exchanger.

1.2.3 EMERGENCY POWER CONSUMPTION



If no heated water is taken from the tank, a small amount of heat leaks. This loss is measured for a period of 24 hours at the temperature of 65°C in the heater, and at 20°C in its ambient area. The resulting value is expressed in units [kWh/24h] and indicates the amount of power needed to maintain the set temperature.

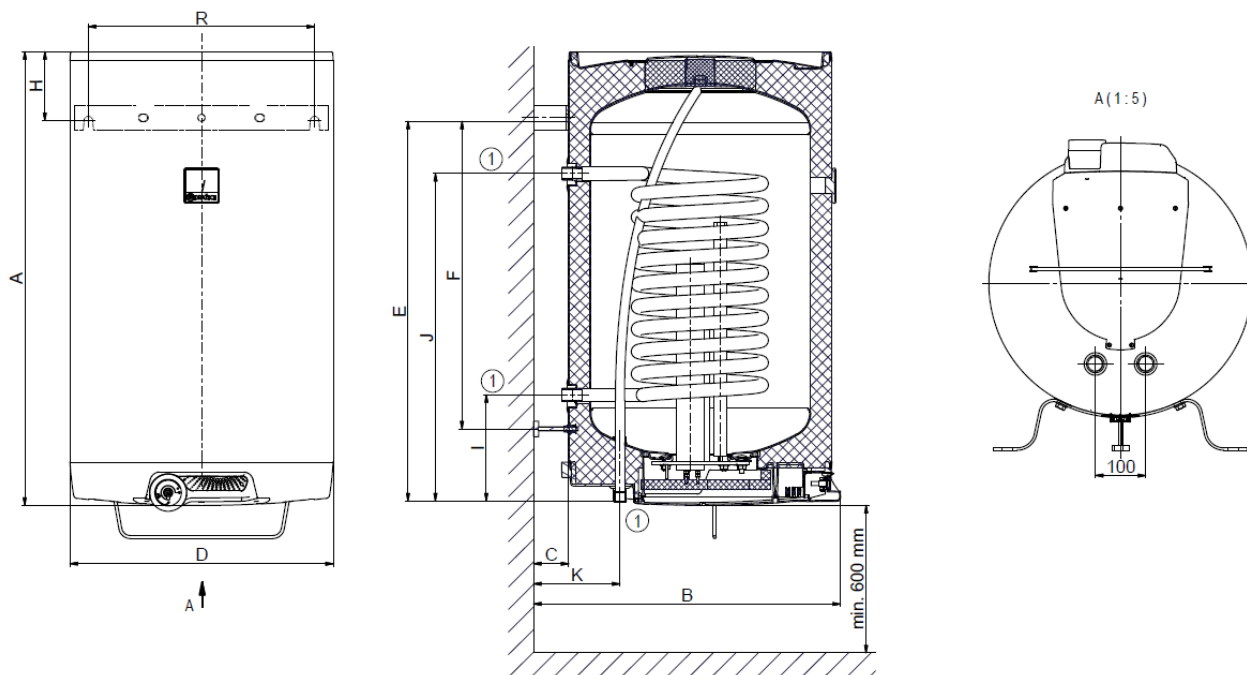
TANK HEATER TYPES	NOMINAL CAPACITY (L)	HEATING TIME FROM 10°C TO 60°C (hours)	ELECTRICITY CONSUMPTION FOR HEATING OF VOLUME FROM 15°C TO 65°C (kWh)
OKC 80	75	2.0	4.8
OKC 100; OKC 100/1 m ²	95	2.5	6
OKC 125; OKC 125/1 m ²	120	3.2	8
OKC 160; OKC 160/1 m ²	147	3.9	9.6
OKC 200; OKC 200/1 m ²	195	5.2	12

Table 1

1.3 DESIGN AND GENERAL HEATER DIMENSIONS

The heater tank is made of a steel plate and tested by 0.9 MPa overpressure. The inside of the tank is enamelled. A flange is welded onto the bottom of the tank with a flange lid screwed to it. A sealing ring is inserted between the flange lid and the flange. Thermowells for placing a heating element and sensors of regulation thermostat and safety fuse are located in the flange lid. An anode rod is mounted onto the M8 nut. **The water reservoir is insulated by means of polyurethane foam.** Electric wiring is placed underneath the plastic removable cover. The temperature of water can be set using the thermostat. In combined versions, a heat exchanger is welded in the pressure tank. The heat exchanger is only intended for the heating circuit.

**Technical description:
OKC 80, OKC 100, OKC 125**

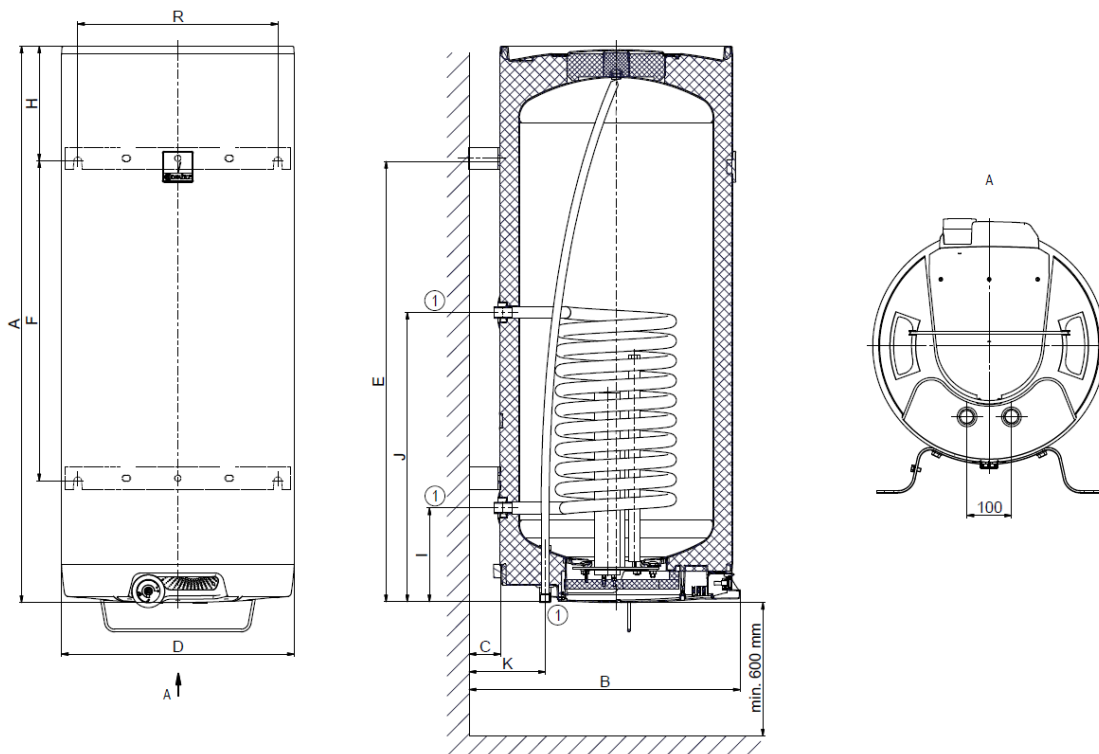


Upper suspension + detent support (rectifying screw)

Figure 1

1 3/4" outer

OKC 160



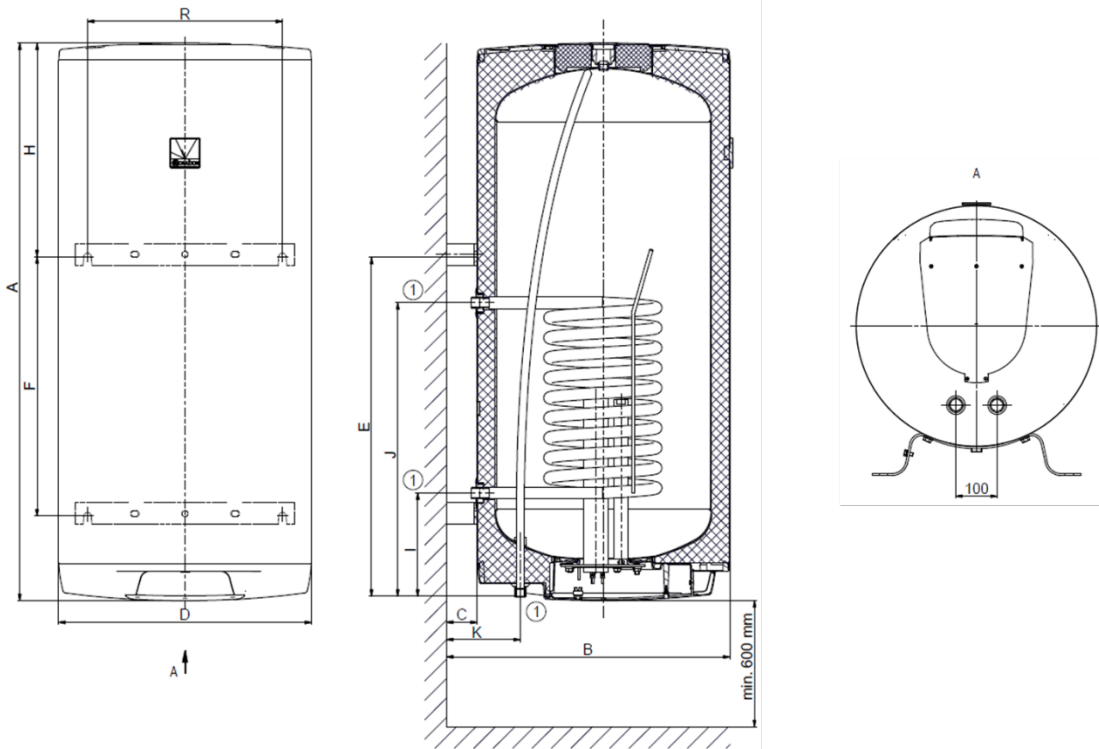
Upper suspension + lower suspension

Figure 2

1 3/4" outer



OKC 200

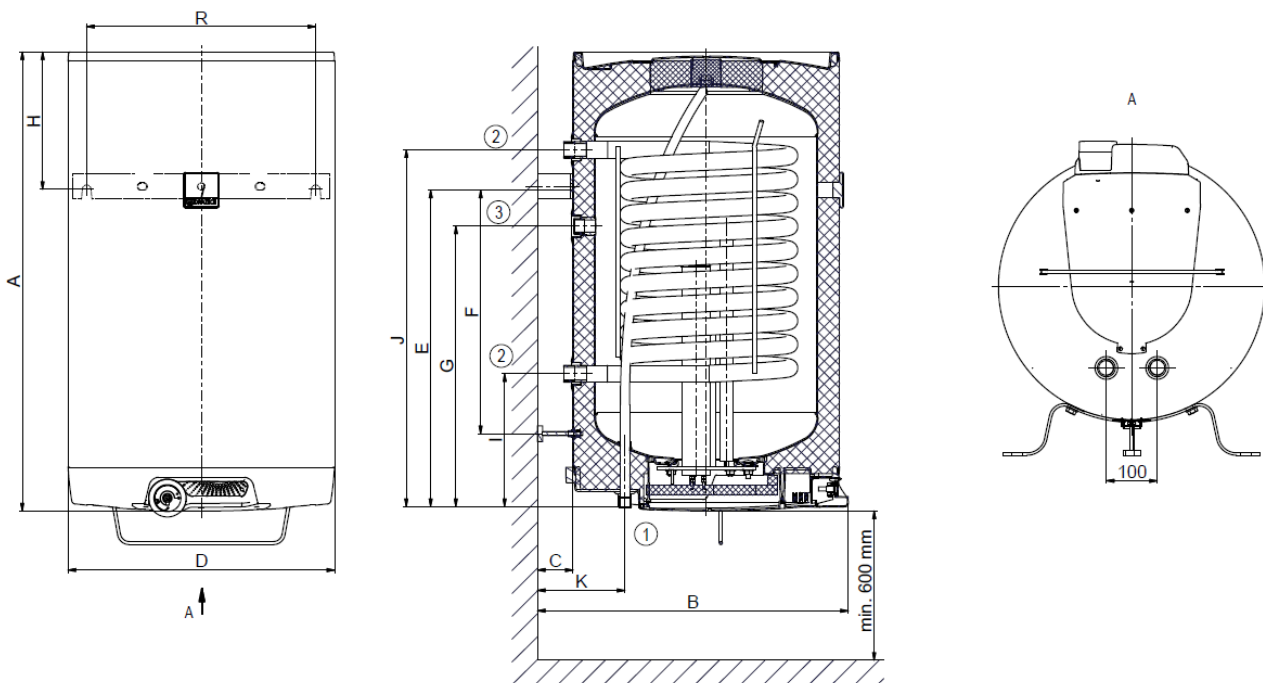


Upper suspension + lower suspension

Figure 3

①	3/4" outer
---	------------

OKC 100/1m², OKC 125/1m²



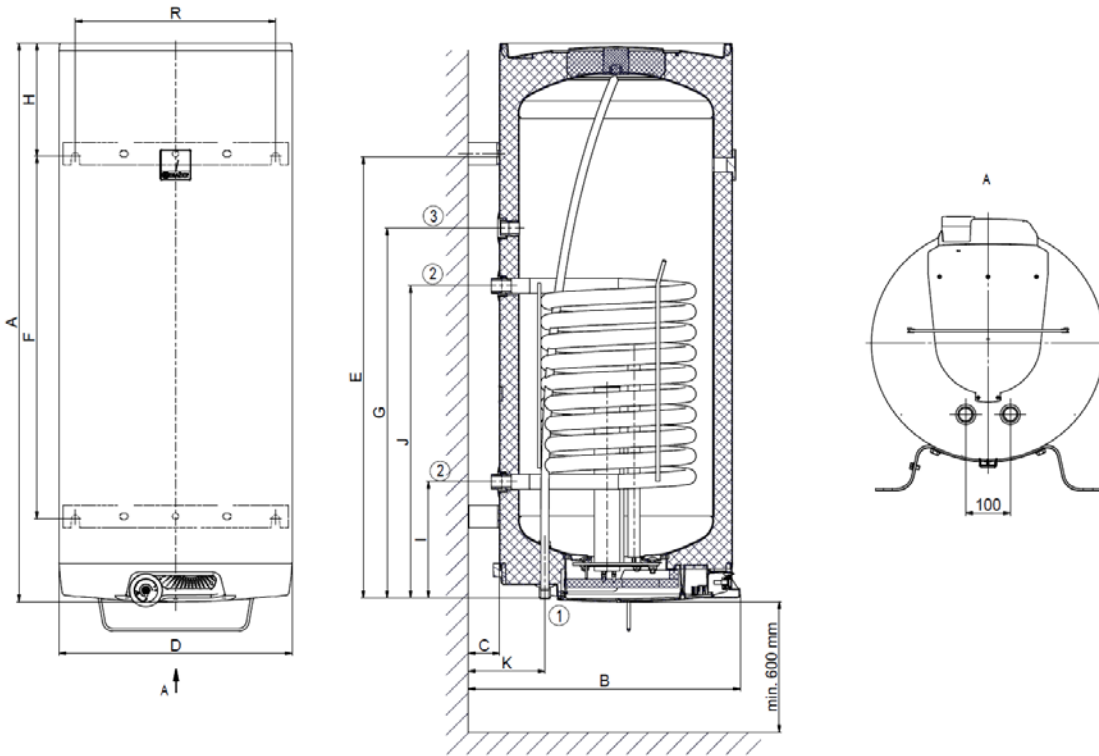
Upper suspension + detent support (rectifying screw)

Figure 4

①	3/4" outer
②	1" outer
③	3/4" inner



OKC 160/1m²

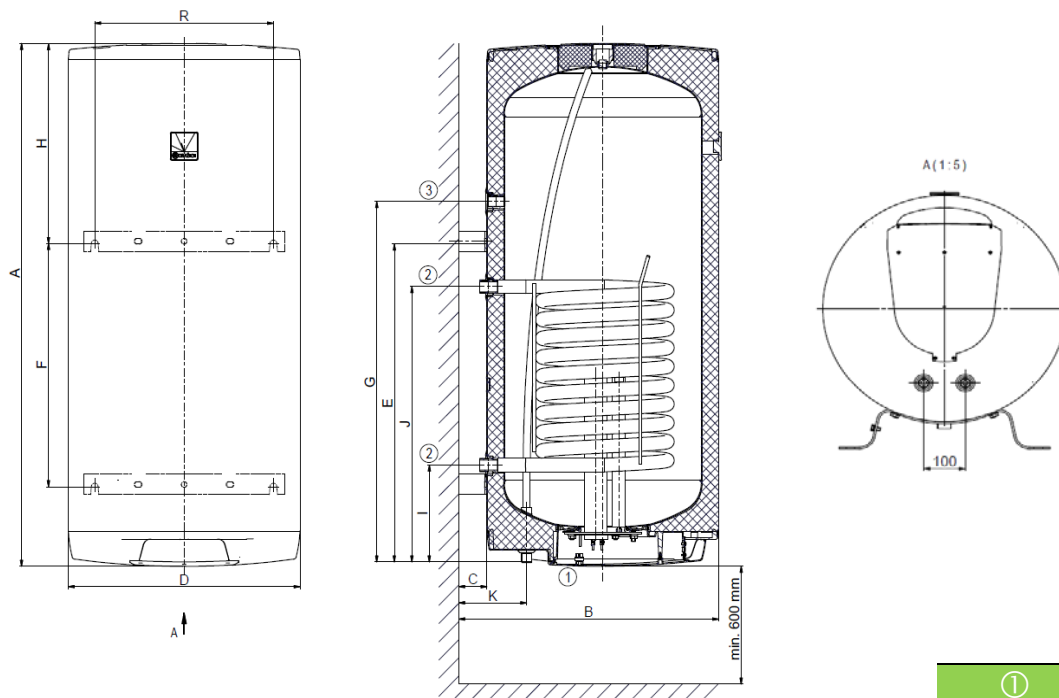


Upper suspension + lower suspension

Figure 5

①	3/4" outer
②	1" outer
③	3/4" inner

OKC 200/1m²



Upper suspension + lower suspension

Figure 6

①	3/4" outer
②	1" outer
③	3/4" inner



TYP	OKC 80	OKC 100 OKC 100/1m ²	OKC 125 OKC 125/1m ²	OKC 160 OKC 160/1m ²	OKC 200 OKC 200/1m ²
A	757	902	1067	1255	1290
B	612	612	612	612	655
C	70	70	70	70	70
D	524	524	524	524	584
E	605	755/622	755/789	995/991	790/784
F	460	610/478	610/645	720/815	600
G	-	-/550	-/550	-/830	-/889
H	142	137/270	302/268	250/254	490/496
I	211	211/263	211/263	211/263	239
J	501	651/703	651/703	651/703	679
K	172	172	172	172	172
R	450	450	450	450	450

*The distance from the upper heater's edge to the end of the water inlet and outlet tubes. Check the R dimensions before drilling. The values behind the slash apply to heaters with a 1 m² exchanger.

Table 2

TYPE		OKC 80	OKC 100 OKC 100/1 m ²	OKC 125 OKC 125/1 m ²	OKC 160 OKC 160/1 m ²	OKC 200 OKC 200/1 m ²
VOLUME	L	75	95	120	147	195
MAX OPERATING OVERPRESSURE IN THE TANK	MPa			0.6		
MAX MAXIMUM OPERATING OVERPRESSURE IN THE EXCHANGER*	MPa			1		
ELECTRICAL CONNECTION	V			1 PE-N ~ 230V/50Hz		
INPUT	W			2200		
EL. PROTECTION				IP 44		
MAX TEMPERATURE OF HOT WATER	°C			90		
MAX OPERATING TEMPERATURE IN THE EXCHANGER	°C			110		
RECOMMENDED TEMPERATURE OF HOT WATER	°C			60		
HEIGHT OF THE HEATER	mm	757	902	1067	1255	1290
DIAMETER OF THE HEATER	mm	524	524	524	524	584
MAX WEIGHT OF THE HEATER WITHOUT WATER	kg	40	50/57	55/64	62/71	79/85
TIME OF EL. HEATING FROM 10°C TO 60°C*	hrs	2.0	2.5	3.2	3.9	5.2
TYPE		OKC 80	OKC 100	OKC 125	OKC 160	OKC 200
EXCHANGER HEAT TRANSFER SURFACE	m ²	0.41	0.68	0.68	0.68	0.68
HEATING TIME BY EXCHANGER FROM 10°C TO 60°C AT FLOW 720 l/h	min	32	23	28	35	45
RATED THERMAL OUTPUT AT HEATING WATER TEMPERATURE 80°C AND FLOW 310 l/h	W	6000	9000	9000	9000	9000
HEATING TIME BY EXCHANGER FROM 10°C TO 60°C AT FLOW 310 l/h	min	50	48	55	67	86
LOAD PROFILE		M	M	M	L	XL
DAILY ELECTRICITY CONSUMPTION	kWh	6.19	6.31	6.59	12.03	20.34
MIXED WATER V40	L	138.7	165.41	231.1	242.83	331.26
TYPE			OKC 100/1m ²	OKC 125/1m ²	OKC 160/1m ²	OKC 200/1m ²
EXCHANGER HEAT TRANSFER SURFACE	m ²	-	1.08	1.08	1.08	1.08
RATED OUTPUT AT HEATING WATER TEMPERATURE OF 80°C AND FLOW 720 L/H	W	-	24000	24000	24000	24000
HEATING TIME BY EXCHANGER FROM 10°C TO 60°C	min	-	14	17	21	28
STATIC LOSS	W	-	47	57	67	72

Table 3

2 OPERATION AND FITTING INSTRUCTIONS

2.1 OPERATING CONDITIONS



The tank shall only be used in accordance with the conditions specified on the power plate and in instructions for electric wiring. Besides legally acknowledged national regulations and standards, also conditions for connection defined in local electric and water works have to be adhered to, as well as the installation and operation manual. The room, in which the appliance will be operated, must be frost-free. The temperature in the heater installation location must not exceed +2 °C. The appliance has to be mounted at a convenient place; it means that the appliance must be easily accessible for potential necessary maintenance, repair or replacement, as the case may be.

We would like to emphasise that the heater must not be connected to power supply if work involving flammable liquids (petrol, spot remover) or gases, etc., is performed nearby.



If water is strongly calcareous we recommend that any of the common decalcifying device was installed with the appliance, or the thermostat to be set to the minimum operation temperature of 60oC. For proper operation, drinkable water of adequate quality shall be used. To avoid potential sediments we recommend that the device was installed together with a water filter.

2.2 WALL MOUNTING



Prior to the mounting check the bearing capacity of the wall and the material it is made of, considering the weight of the heater filled with water. Depending on the wall material choose adequate fixtures. Should you have any doubts regarding the wall bearing capacity, consult the suspension with a building specialist.

The minimum diameter of the bolts for suspending the heater is 12 mm. When mounting the anchor bolts follow the manual provided by the anchor bolts' manufacturer.

Mount the anchors by the dimensional drawing (Figure 1 to Figure 6) in a **450 mm** spacing. Double check the torque of the suspension bolts on the heater and suspend the heater. Using the detent support in the bottom part of the heater make sure it runs in parallel with the wall (Figure 7) in the 80 - 125 L heaters (Figure 1, Figure 4).



Figure 7

ARENA[®]
INSTALATIILOR
PROMPTITUDINE · CALITATE · PROFESIONALISM



If the hot water heater is mounted in a **tight, smaller space**, or in an intermediate ceiling, etc., you have to make sure that the connecting side of the appliance (connections to water supply, area for electric plugging) remained accessible and no heat accumulation occurs. Free space of up to **500 mm** from the bottom edge of the heater has to be available under the heater. When mounted directly under the ceiling, the distance from the ceiling has to be **50 mm** at least. Free space of up to **500 mm** from the bottom edge of the heater has to be available under the heater.

If the water heater is mounted in enclosed areas, inter-ceilings, built-in structures and recesses, ensure sufficient access to service fittings, electrical terminal boards, anodes and manholes. Minimum spacing from manhole is 600 mm.

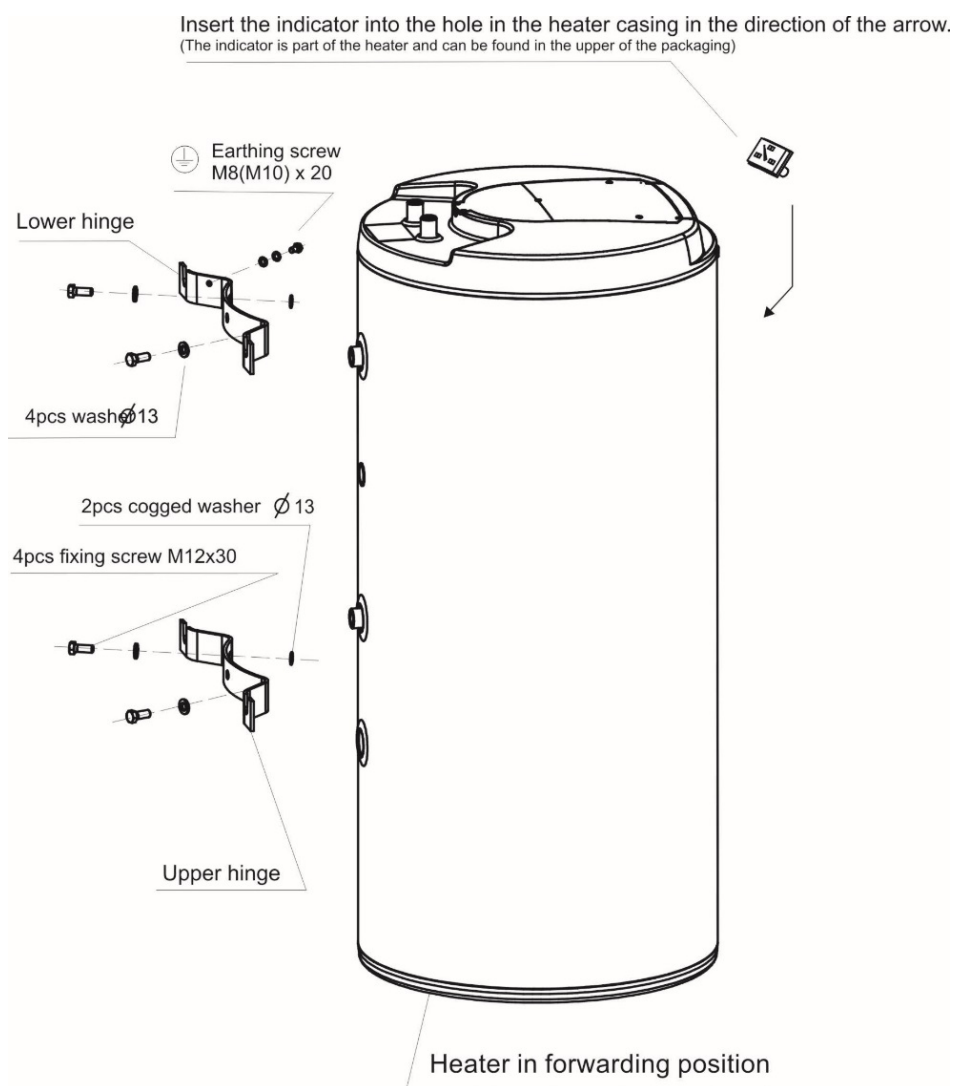


Figure 8

2.3 PLUMBING FIXTURE



Heaters are connected to plumbing fixtures as shown in (Figure 9, Figure 10). For potential disconnection of the heater, the service water inlets and outlets must be provided with screw coupling Js 3/4". The safety valve is mounted on the cold water inlet identified with a blue ring. We recommend that the hot water distribution from the tank was as short as possible to minimise heat losses.



Each hot service water pressure heater must have a safety valve with a membrane spring. The safety valve must be easily accessible, as close to the heater as possible. The inlet pipes must have at least the same clearance as the safety valve. Safety valve is placed high enough to secure dripping water drain by gravity. Safety valves with fixed pressure settings from the manufacturer are used for the assembly. Starting pressure of a safety valve must be identical to the maximum allowed heater pressure, and at least 20 % higher than the maximum pressure in the water main. If the water main pressure exceeds such value, a reduction valve must be added to the system. Find necessary pressure values in the below Table 4. No stop valves can be put between the heater and the safety valve. During assembly, follow the guide provided by the safety equipment manufacturer. The cold water inlet of each individually closable heater must be fitted with a seal, test tap or plug to check the non-return valve, as well as a non-return valve and safety valve. Heaters with a volume of more than 200 litres must also be fitted with a pressure gauge.

It is necessary to check the safety valve each time before putting it into operation. It is checked by manual moving of the membrane from the seat, turning the make-and-break device button always in the direction of the arrow. After being turned, the button must click back into a notch. Proper function of the make-and-break device results in water draining through the safety valve outlet pipe. In common operation, such a check needs to be implemented at least once a month, and after each heater shutdown for more than 5 days. Water may be dripping off the drain pipe of the safety valve; the pipe must be open into the air, pointed down; environment temperatures must not drop below zero. When draining the heater, use the recommended drain valve. First, close the water supply into the heater. For proper safety valve operation, a backflow valve must be mounted on the inlet pipes, preventing spontaneous heater draining and hot water penetrating back into the water main.

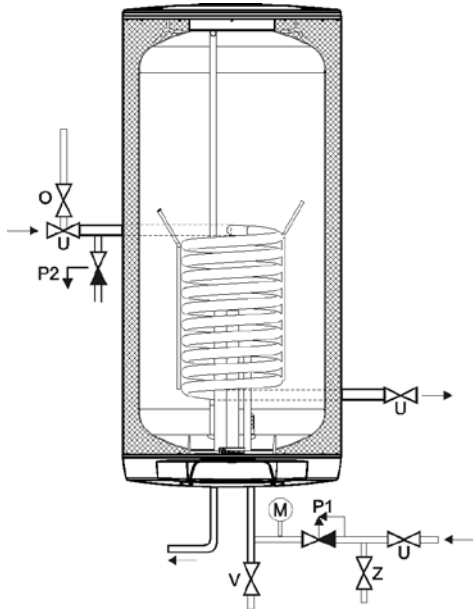
Required pressures:

SAFETY VALVE STARTING PRESSURE (MPa)	ACCEPTABLE OPERATING OVER-PRESSURE OF THE WATER HEATER (MPa)	MAX COLD WATER PRESSURE IN PIPING (MPa)
0.6	0.6	up to 0.48
0.7	0.7	up to 0.56
1	1	up to 0.8

Table 4



Water heaters must be provided with a discharge valve mounted on the cold service water inlet to the heater for potential disassembly or repair.



- O - bleeder valve
- U - stop valve
- P1 - safety valve with reverse flap
- P2 - safety valve for heating circuit
- M - manometer
- Z - test valve
- V - drain valve



It is recommended to install stop valves on the heating water inlet and outlet (for possible dismantling of the heater). The valves have to be as close to the heater as possible to avoid higher thermal losses.

Figure 9

TANK TYPE COMBINED WATER HEATER HOT WATER DISTRIBUTION

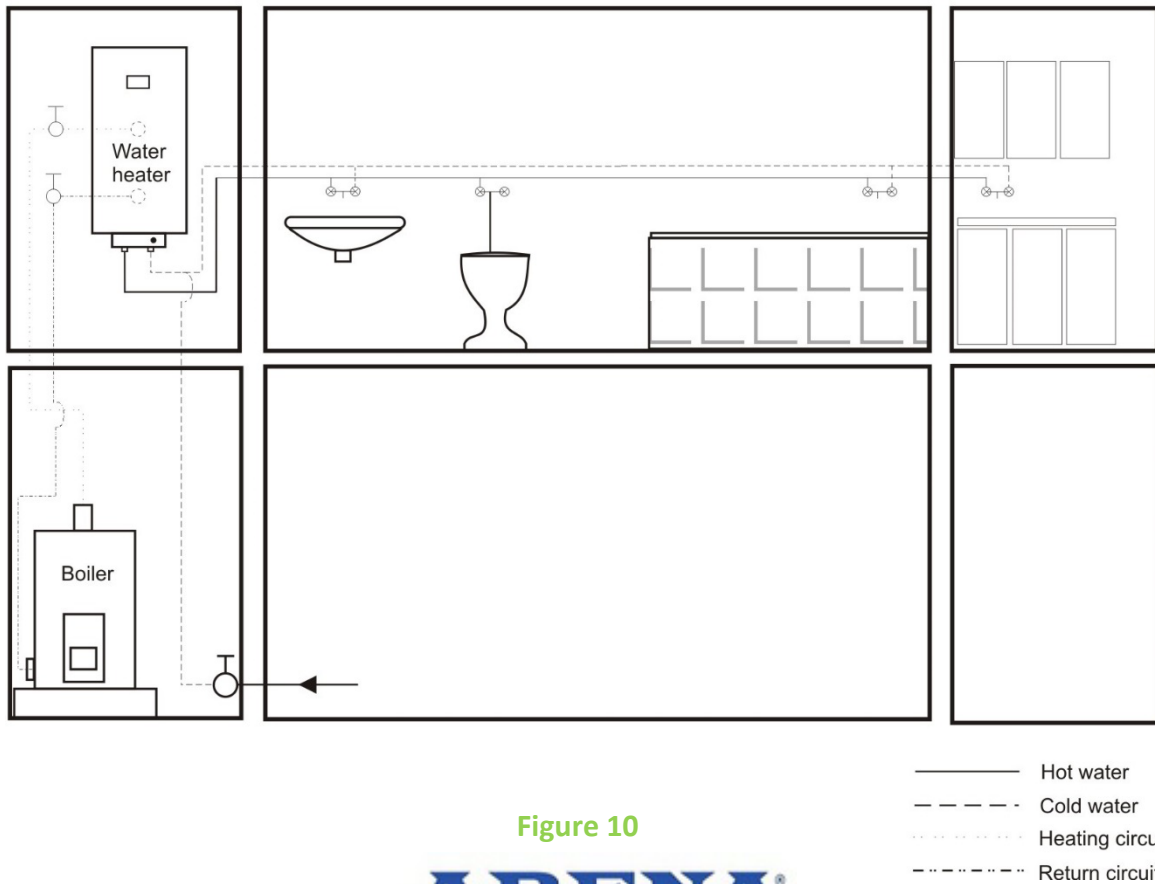


Figure 10

ARENA
INSTALATIILOR
PROMPTITUDINE · CALITATE · PROFESIONALISM

2.4 ELECTRICAL INSTALLATION

2.4.1 GENERAL INFORMATION FOR ELECTRICAL INSTALLATION

Perform the connection according to the scheme. Factory connection must not be changed! (Figure 12). In the electric wiring casing remove the partition corresponding with the input wire diameter of $\phi 8$ or $\phi 10$ (Figure 11). The degree of protection of electric parts of the heater is IP 44. Power input of electric element is 2200 W.

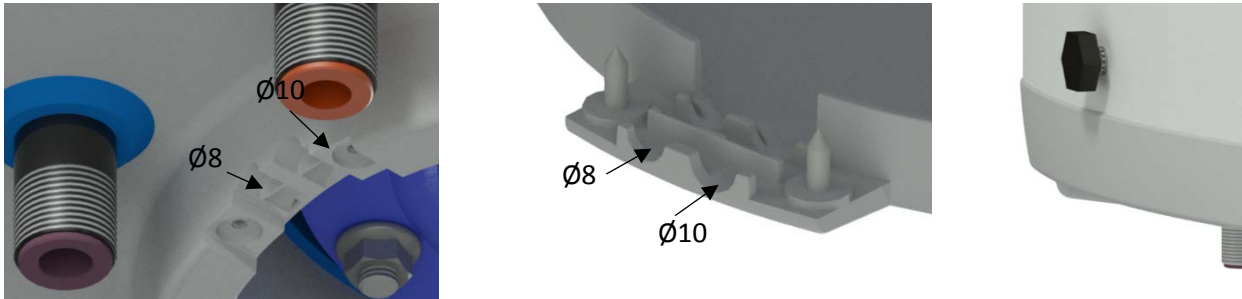


Figure 11

It is necessary to observe the below requirements during the electric wiring.



- The wiring diagram is attached to the heater on the electrical installation guard (see Figure 12).
- The electrical installation shall only be connected, repaired and inspected by a person authorised to perform that activity.
- Expert connection must be confirmed on the warranty certificate.
- The heater is connected to the 230 V/50 Hz electricity supply using a fixed moving conductor with a switch that turns off all network poles and the circuit breaker (protector).
- In the OKC 80 - 125 and OKC 100 - 125/1m² heaters, after wall mounting and adjusting the distance from the wall by M8x80 rectifying screw, connect the external protective connection wire to the rectifying screw.
- In the OKC 160 - 200 and OKC 160 - 200/1m² heaters, after wall mounting, connect the external protective connection wire to the bottom hinge to the earth screw.
- Installations in bathrooms, laundry rooms, rest rooms and showers, must be in compliance with standard.
- The degree of protection of electric parts of the heater is IP 44.
- Adhere to the protection against electric shock injury according to standard.

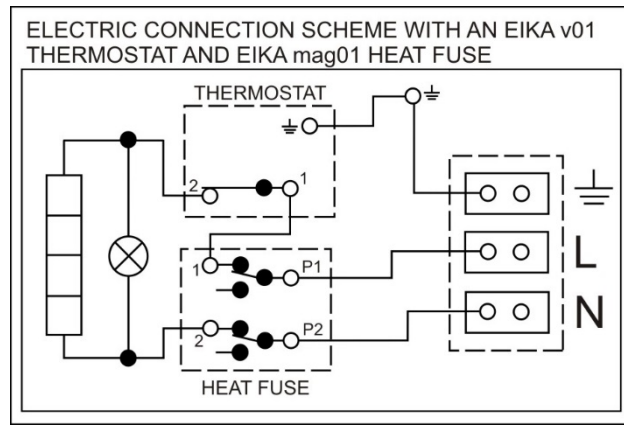


Figure 12

2.5 OPERATION

a) Water heating by electric energy

After the heater is connected to electric network, the heating element starts heating water. The element is turned on and off by a thermostat. After reaching the temperature set, the thermostat switches off the electric circuit and discontinues water heating. The control light signals if the element is in operation (light is on) or if it is off (the light goes out). In case of longer operation without using the heated volume, the thermostat has to be set to position 5°C to 8°C (set the “snowflake” symbol on the thermostat selector) to avoid its freezing, or electricity supply to the heater has to be switched off. In combined versions, the stop valve on the inlet to the exchanger has to be closed at the inlet to the heat exchanger while which prevents heating the water in the hot water heating system.

b) Service water heating via thermal energy through heat exchanger

Closing valves of the heat exchanger must be opened which ensures heating water flow from the hot water heating system. Together with the closing valve, it is recommended to install an air outlet valve at the inlet to the heat exchanger in order to bleed the heat exchanger as needed, in particular before the beginning of the heating season (Figure 9). The time it takes to heat up using the heat exchanger depends on the temperature and flow of water in the hot water heating system. A combined heater is made in universal design – depending on the need of connecting the closing valves to the heating element either from the right, or from the left.

2.6 FIRST COMMISSIONING



After connecting the heater to the water supply, the hot water heating system, the electric network, and after testing its safety valve (based on the valve manual attached), the heater may be put into operation. Before opening the power supply, the tank must be filled with water. The process of first heating must be executed by licensed professional who has to check it. Both the hot water outlet pipe and safety armature parts may be hot.



During the heating process the pressurised connection water that increases its volume due to heating must drip off the safety valve. In non-pressurised connection water drips off the overflow combination faucet. When heating is finished, the set temperature and the actual temperature of consumed water must be more-or-less the same. After connecting the heater to the water main and electrical power system, and after checking the safety valve (following the instructions attached to the valve), the heater can be put into operation.

Procedure of putting the heater into operation

1. Check both water and electric installation; for combined heaters, check also the installation to the hot water heating system. Check proper placement of thermostat sensors. The sensors must be inserted all the way in; first the thermostat and then the safety fuse.
2. Open the hot water valve on the combination faucet.
3. Open the cold water inlet valve to the heater.
4. Once water starts draining through the combination faucet valve for hot water, the filling of the heater is completed and the valve can be closed.
5. In case of leakage (of flange lid), we recommend that the flange lid bolts are fastened.
6. Screw down the electric installation guard.
7. When heating utility water with heat energy from the hot water heating system, open the heating water inlet and outlet valves, or de-aerate the exchanger.
8. When commencing operation, flush the heater until the cloudiness in the water is gone.
9. Make sure to fill in properly the warranty certificate.

2.7 PUTTING OUT OF SERVICE, DISCHARGE



If the hot water heater is put out of service for a longer time, or if it is not going to be used it has to be drained and disconnected from the electric supply network on all poles. The switch for the supply lead or the fuse cut-outs have to be shut off.

At places with permanent risk of frost the hot water heater must be drained before the cold season starts if the appliance remains out of service for several days and if the power supply is disconnected.



Drainage of utility water shall be performed after closing the shut-off valve in the cold water supply piping (through the discharge valve for safety valve combination), and with simultaneous opening of all hot water valves of connected fittings. Hot water may outflow during the drainage! If there is a risk of frost it has to be considered that not only the water in the hot water heater and in the hot water piping may get frozen but also the water in the entire cold water supply piping. It is therefore advisable to drain all fittings and piping that carry water, up to the part where the house water meter is installed (connection of the house to water main) which is not jeopardised by frost. When the tank is to be used again, it has to be filled with water and one needs to make sure that the **water flowing out at the hot water valves did not contain any bubbles.**

2.8 INSPECTION, MAINTENANCE & CARE FOR THE APPLIANCE



During the heating process the water that increases its volume during the heating must drip off the safety valve outlet (in non-pressurised connection this water drips off the combination faucet valve). In full heating (about 65oC) the volumetric water gain is approx. 3% of the tank capacity. The function of the safety valve has to be checked regularly (based on the information contained in the attached safety valve manual). In common operation, such a check needs to be implemented at least once a month, and after each heater shutdown that exceeds 5 days.

Caution! In doing so, the cold water supply pipe and the connection fitting of the tank may get heated! If the hot water heater does not work, or if hot water is not withdrawn, no water shall drip off the safety valve. If water drips, then the pressure in the supply piping is either too high, or the safety valve is defective. Please call a specialised plumber immediately!



If water contains too many minerals, an expert has to come to remove the scale that forms inside the tank, as well as free sediments. This has to be performed after one or two years of operation. Repeated heating causes lime scale settling on the receptacle walls and mostly on the lid of the flange. Lime scale settling depends on hardness of heated water, its temperature and on the volume of hot water used.

We recommend checking and cleaning the tank from lime scale and eventual replacement of the anode rod after two years of operation. The anode life is theoretically calculated for two years of operation; however, it changes with water hardness and chemical composition in the place of use. Based on such an inspection, the next term of anode rod exchange may be determined. Have a company in charge of service affairs deal with the cleaning and exchanging of the anode.

When discharging water from the heater, the mixing valve battery for hot water must be open in order to avoid creating underpressure that would prevent water discharge. Cleaning is carried out through the hole in the flange by: draining the boiler, dismantling the flange lid and cleaning the tank. A new sealing has to be used for re-fitting. Since the inside of the heater has special enamel, the surface of which must not get in contact with a scale removing agent – do not work with a lime pump. Remove the lime layer with a timber and suck it off, or wipe it off with a clout. After that, the appliance must be rinsed thoroughly and the heating process is checked the same as during the initial putting in operation. Do not use any abrasive cleaning agents or dye thinners to clean the outer shell of the heater (such as cellulose thinner, trichlor, and the like). For cleaning use a wet clout and add a few drops of liquid cleaning agent for household applications.

2.9 MOST FREQUENT FUNCTION FAILURES AND THEIR CAUSES

FAILURE SYMPTOM	INDICATOR	SOLUTION
Water is cold	<ul style="list-style-type: none"> • Light on • Light off 	<ul style="list-style-type: none"> • The temperature set on the thermostat is too low • Heating element failure • No supply voltage! • Thermostat failure • Safety thermostat shut off probably due to failed operation thermostat
Water is not warm enough	<ul style="list-style-type: none"> • Light on 	<ul style="list-style-type: none"> • failure of one of the coils in the element (contains 2)
Temperature of water is not corresponding with the set value		<ul style="list-style-type: none"> • Defective thermostat
Water is constantly dripping off the safety valve	<ul style="list-style-type: none"> • Light off 	<ul style="list-style-type: none"> • high input pressure • defective safety valve

Table 5



Do not attempt to repair the failure yourselves. Seek either expert or service help. It does not take much for an expert to remove the defect. When making a repair appointment, report the type and serial number you find on the performance plate of your water heater.

3 OPERATION OF THERMOSTAT

3.1 SERVICING

3.1.1 OPERATING DEVICES OF THE HEATER

Electric installation cover for OKC 200, OKC 200/1m² heaters

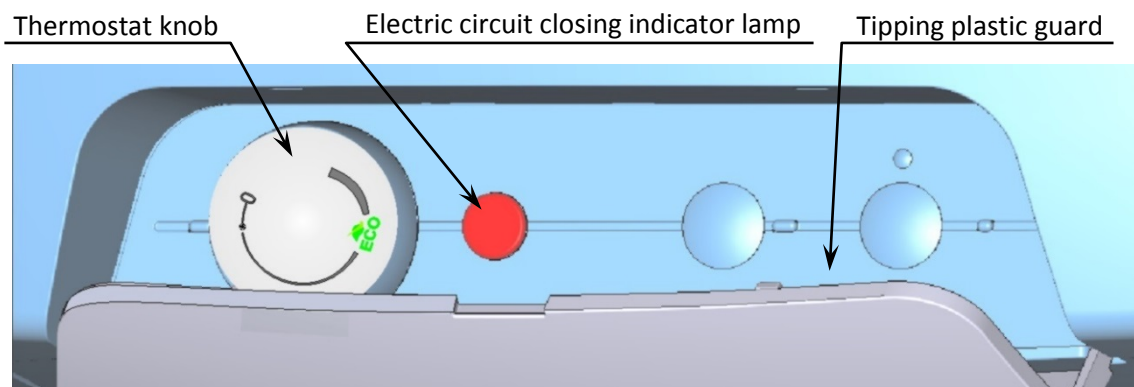


Figure 13

Electric installation cover for OKC 80, OKC 100, OKC 125, OKC 160, OKC 100/1m², OKC 125/1m², OKC 160/1m² heaters

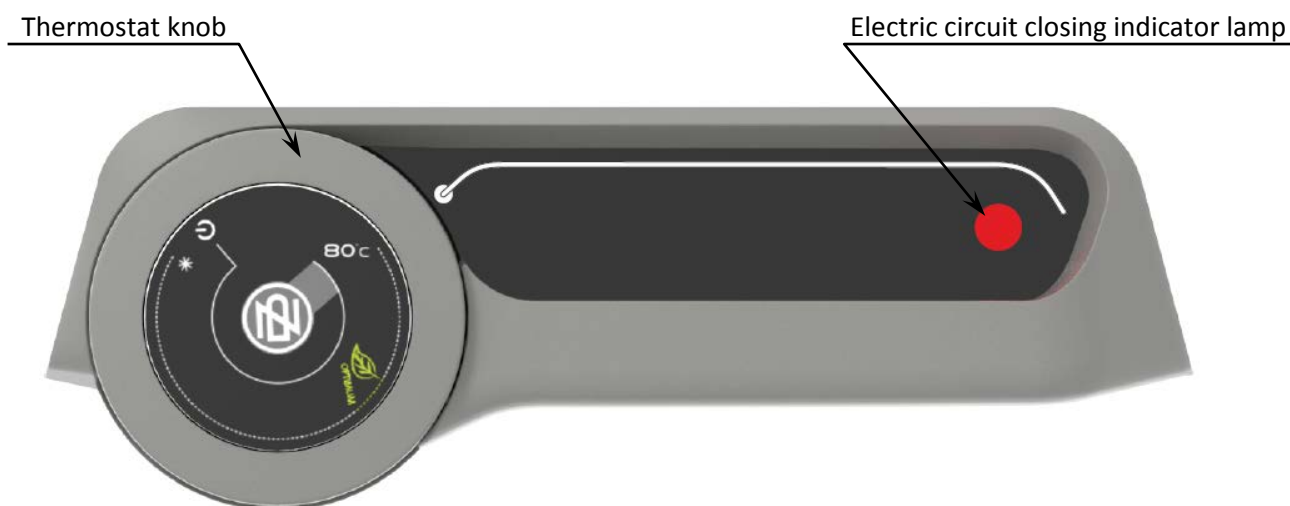


Figure 14



Neither the thermostat, nor any other part of the control panel is a bearing part that could be used for any handling the heater.

3.1.2 TEMPERATURE SETTING

Water temperature is set by turning the thermostat knob. The desired symbol is adjusted against the fixed point on the control panel.

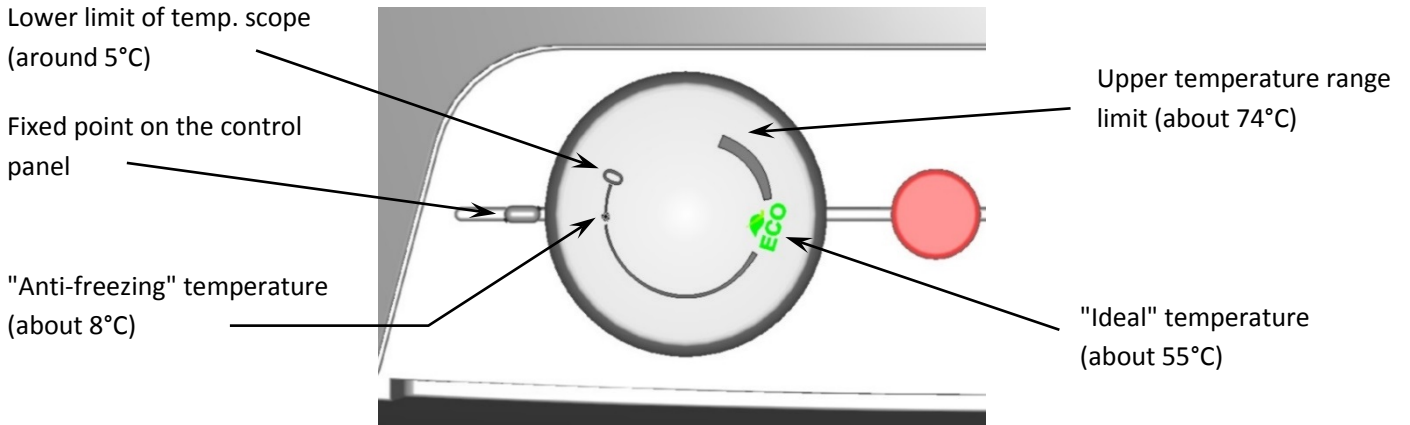


Figure 15



Figure 16



Adjusting the thermostat knob to the left backstop does not mean permanent shutoff of the heating element. When the heater is in use without blocking the daily rate, we do not recommend the temperature to be set above 55°C. Select the "ECO" symbol as the maximum (Figure 15, Figure 16).

4 IMPORTANT NOTICES

4.1 INSTALLATION REGULATIONS

- **Without a confirmation of performed electrical installation issued by an authorised company, the warranty certificate shall be void.**
- Check and exchange the Mg anode regularly.
- You have to apply for approval of a local power supplier to connect the heater.
- **No stop valves can be put between the heater and the safety valve.**
- If the overpressure in the water main exceeds 0.48 MPa, a pressure control valve must be mounted before the safety valve.
- All hot water outputs must have a combination faucet.
- Before filling the heater with water for the first time, it is recommended to fasten the flange connection nuts of the tank.
- It is not allowed to handle the thermostat, aside from temperature resetting with a control button.
- All electric installation handling, adjustment and replacement of the regulation elements shall only be performed by an authorised service company.
- **The thermal fuse must not be turned off!** In case of thermostat defect, the thermal fuse interrupts electric power input to the heating element if the water temperature in the heater exceeds 90 °C.
- As an exception, the thermal fuse may also switch off due to water overheating caused by overheating the hot water heating system boiler.
- We recommend you operate the heater with one type of energy.
- If you don't use the heater (hot water tank) for longer than 24 hours, or if the facility with heater is unattended, close the cold water inlet to the heater.
- The heater (hot water tank) shall be used exclusively in accordance with the conditions specified on the performance plate and in the instructions for electric wiring.



Both the electric and water installation must follow and meet the requirements and regulations relevant in the country of use!

4.2 TRANSPORT & STORAGE INSTRUCTIONS

The device shall be transported and stored in dry place and protected from weather effects with temperature range from -15 to +50°C. During loading and unloading the instructions stated on the packaging shall be observed.



Due to the transport and thermal dilatations, excessive enamel may fall off on the bottom of the receptacle in heaters with **exchanger**. This phenomenon is very common and has no impact on the quality and service life of the heater. Decisive is the enamel layer that remains on the receptacle. DZD has long-term experience with this phenomenon, and it is not a reason for claim.

4.3 DISPOSAL OF PACKAGING MATERIAL AND NON-FUNCTIONING PRODUCT

A service fee for providing return and recovery of packaging material has been paid for the packaging in which the product was delivered. The service fee was paid pursuant to Act No 477/2001 Coll., as amended, at EKO-KOM a.s. The client number of the company is F06020274. Take the water boiler packages to a waste disposal place determined by the town. When the operation terminates, disassemble and transport the discarded and unserviceable heater to a waste recycling centre (collecting yard), or contact the manufacturer.



5 PRODUCT ACCESSORIES

The product is supplied with a safety valve, 2-4 fastening screws M 12x30, 2-4 washers ϕ 13, 13 hinges (consoles), a thermometer, rectifying (spacer) screw M8, fan-shaped washer ϕ 8.4 – 2 pcs, nuts M8. The above parts are packed and placed in the packaging in the top part of the heater.

It is in your own interest to check the completeness of the accessories.

18-10-2017