

# OPERATING AND INSTALLATION MANUAL

## TANK-TYPE WATER HEATER FOR VERTICAL MOUNTING

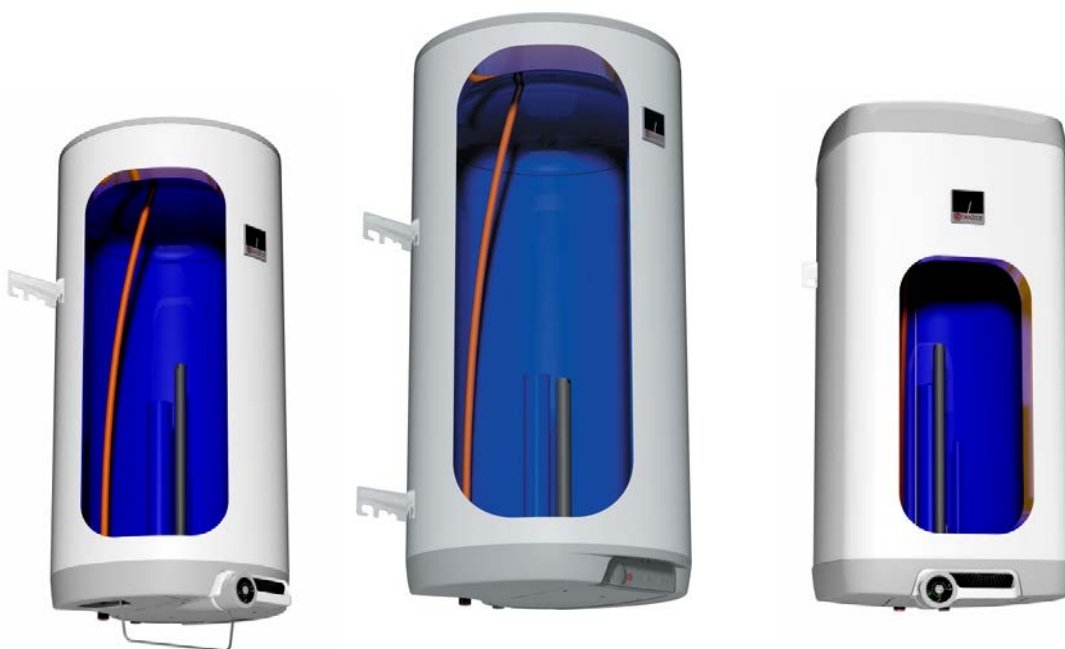
Electric water heaters

OKCE 50  
OKCE 80  
OKCE 100  
OKCE 125  
OKCE 160

OKCE 200

**ARENA**  
INSTALATIILOR  
PROMPTITUDINE · CALITATE · PROFESIONALISM

OKHE 80  
OKHE 100  
OKHE 125  
OKHE 160



Družstevní závody Dražice - strojírna s.r.o.  
Dražice 69, 294 71 Benátky nad Jizerou  
Phone.: +420 / 326 370 990  
Fax: +420 / 326 370 980  
e-mail: prodej@dzd.cz

 **DRAŽICE**  
ČLEN SKUPINY NIBE

# CONTENTS

1	PRODUCT TECHNICAL SPECIFICATION.....	4
1.1	FUNCTION DESCRIPTION.....	4
1.2	ADVICE FOR CUSTOMERS.....	4
1.2.1	HOT WATER CONSUMPTION.....	4
1.2.2	ENERGY SAVING.....	4
1.2.3	EMERGENCY POWER CONSUMPTION.....	4
1.3	DESIGN AND GENERAL HEATER DIMENSIONS.....	6
2	OPERATION AND FITTING INSTRUCTIONS.....	9
2.1	OPERATING CONDITIONS.....	9
2.2	WALL MOUNTING.....	9
2.3	PLUMBING FIXTURE.....	10
2.4	ELECTRICAL INSTALLATION.....	12
2.4.1	GENERAL INFORMATION FOR ELECTRICAL INSTALLATION.....	12
2.5	OPERATING ACTIVITY.....	13
2.6	FIRST COMMISSIONING.....	13
2.7	PUTTING OUT OF SERVICE, DISCHARGE.....	14
2.8	INSPECTION, MAINTENANCE & CARE FOR THE APPLIANCE.....	14
2.9	MOST FREQUENT FUNCTION FAILURES AND THEIR CAUSES.....	15
3	OPERATION OF THERMOSTAT.....	16
3.1	OPERATING DEVICES OF THE HEATER.....	16
3.1.1	TEMPERATURE SETTING.....	17
4	IMPORTANT NOTICES.....	18
4.1	INSTALLATION REGULATIONS.....	18
4.2	TRANSPORT & STORAGE INSTRUCTIONS.....	18
4.3	DISPOSAL OF PACKAGING MATERIAL AND NON-FUNCTIONING PRODUCT.....	19
5	PRODUCT ACCESSORIES.....	19



## CAREFULLY READ THIS MANUAL BEFORE INSTALLING THE WATER HEATER!

Dear customer,

The Works Cooperative of Dražice – Machine Plant, Ltd., would like to thank you for your decision to use a product of our brand. With this guide, we will introduce you to the use, construction, maintenance and other information on electrical water heaters.



The product is not intended to be controlled by

a) people (including children) with reduced physical, sensual or mental capacities, or

b) people with insufficient knowledge and experiences unless supervised by responsible person, or unless properly instructed by such responsible person.

The manufacturer reserves the right for engineering modification of the product. The product is designed for permanent contact with drinkable water.

It is recommended to use the product in indoor environment with air temperatures from +2°C to 45°C and a relative humidity up to 80%.

Product's reliability and safety is proven by tests implemented by the Engineering Test Institute in Brno.

Made in the Czech Republic.

### Meaning of pictograms used in the Manual



**Important information for heater users.**



**Abiding by the recommendations of the manufacturer serves to ensure trouble-free operation and the long service life of the product.**



**Caution!**

**Important notice to be observed.**

**ARENA<sup>®</sup>**  
**INSTALATIILOR**  
PROMPTITUDINE · CALITATE · PROFESIONALISM

# 1 PRODUCT TECHNICAL SPECIFICATION

## 1.1 FUNCTION DESCRIPTION

The heater is designed for accumulation heating of service water using electricity. Water is heated by an electric element in an enamelled thermally insulated tank at the time defined by the power supplier. The element is at the time of heating controlled by a thermostat the temperature of which can be adjusted continuously (within the range between 5°C and 74°C). Once the selected temperature is reached, heating interrupts automatically. Water accumulated in the tank is then used for consumption. The tank keeps constant pressure of water from the water main. If the combination faucet hot water valve is opened, water from the water supply conduit pressed out by cold water pressure flows out of the heater. Hot water flows out through the top part, and water flowing in remains in the bottom part of the heater. Pressure principle allows hot water withdrawal at any place from the heater.

## 1.2 ADVICE FOR CUSTOMERS

### 1.2.1 HOT WATER CONSUMPTION



Consumption of hot water in households depends on the number of people, amount of sanitary equipment, length, diameter and insulation of piping in the flat, or on individual habits of users. The cheapest option of water heating comes at the time when the electricity rate is reduced.



Find out in what time intervals your electricity supplier provides reduced tariff and, depending on that information, select relevant volume and power input of the heater so that your hot water consumption covered the needs of your household.

### 1.2.2 ENERGY SAVING



Hot utility water reservoir is insulated by means of top-quality polyurethane foam with zero CFCs content. Adjust the temperature of the heater's thermostat to that level only that you need to run your home. Thus you will reduce electricity consumption, as well as the amount of lime sediments on the walls of the receptacle and on the electric element's pit.

### 1.2.3 EMERGENCY POWER CONSUMPTION



If no heated water is taken from the tank, a small amount of heat leaks. This loss is measured for a period of 24 hours at the temperature of 65°C in the heater, and at 20°C in its ambient area. The resulting value is expressed in units [kWh/24h] and indicates the amount of power needed to maintain the set temperature.

TYPE		OKCE 50	OKCE 80/ OKHE 80	OKCE 100/ OKHE 100	OKCE 125/ OKHE 125	OKCE 160/ OKHE 160	OKCE 200
		<b>VOLUME</b>	L	51	80	100	125
<b>MAX OPERATING OVERPRESSURE IN THE TANK</b>	MPa			0.6			
<b>ELECTRICAL CONNECTION</b>	V			1/N/PE ~ 230V/50Hz			
<b>INPUT</b>	W				2200		
<b>EL. PROTECTION</b>					IP 44		
<b>MAX TEMPERATURE TV</b>	°C			90			
<b>RECOMMENDED HOT WATER (HW) TEMPERATURE</b>	°C			60			
<b>HEIGHT OF THE HEATER</b>	mm	585	757 740	902 885	1067 1050	1255 1235	1290
<b>HEATER DIAMETER (only OKCE)</b>	mm	524	524	524	524	524	584
<b>THE HEATER DIMENSION width x depth (only OKHE)</b>	mm			520x550			
<b>MAX WEIGHT OF THE HEATER WITHOUT WATER</b>	kg	28	32/34	39/38	43/45	49/51	66
<b>TIME OF EL. HEATING FROM 10°C TO 60°C*</b>	hrs	1.3	2.1	2.6	3.3	4	5.3
<b>LOAD PROFILE</b>		M	M	M	M	L	XL
<b>DAILY ELECTRICITY CONSUMPTION</b>	kWh	6.32	6.19 6.48	6.31 6.50	6.59 6.38	12.03 12.58	20.34
<b>MIXED WATER V40</b>	L	80.84	138.7 124.83	165.41 151.66	231.1 204.68	242.83 219.82	331.26

Table 1



## 1.3 DESIGN AND GENERAL HEATER DIMENSIONS

The heater tank is made of a steel plate and tested by 0.9 MPa overpressure. The inside of the receptacle is enamelled. A flange is welded onto the bottom of the tank with a flange lid screwed to it. A sealing ring is inserted between the flange lid and the flange. Thermowells for placing a heating element, thermostat sensors and safety fuses are located in the flange lid. An anode rod is mounted onto the M8 nut. Electric wiring is placed underneath the plastic removable cover. Description of basic parts of the heater – Figure 1. Heater dimensions – Figure 2 and Table 2, Figure 3 and Table 3.

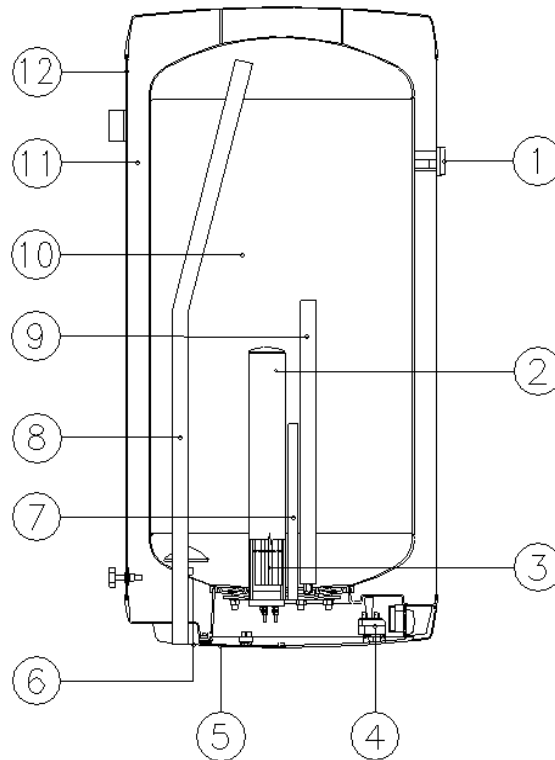


Figure 1

1. Temperature indicator
2. Heating element well
3. Ceramic heating element 2200W
4. Service thermostat with external control and safety pipe
5. Electric installation cover
6. Cold water supply pipe
7. Thermowell
8. Hot water withdrawal pipe
9. Mg anode
10. Enamelled steel receptacle
11. Polyurethane insulation
12. Heater shell

Technical description: OKCE 50 – 200

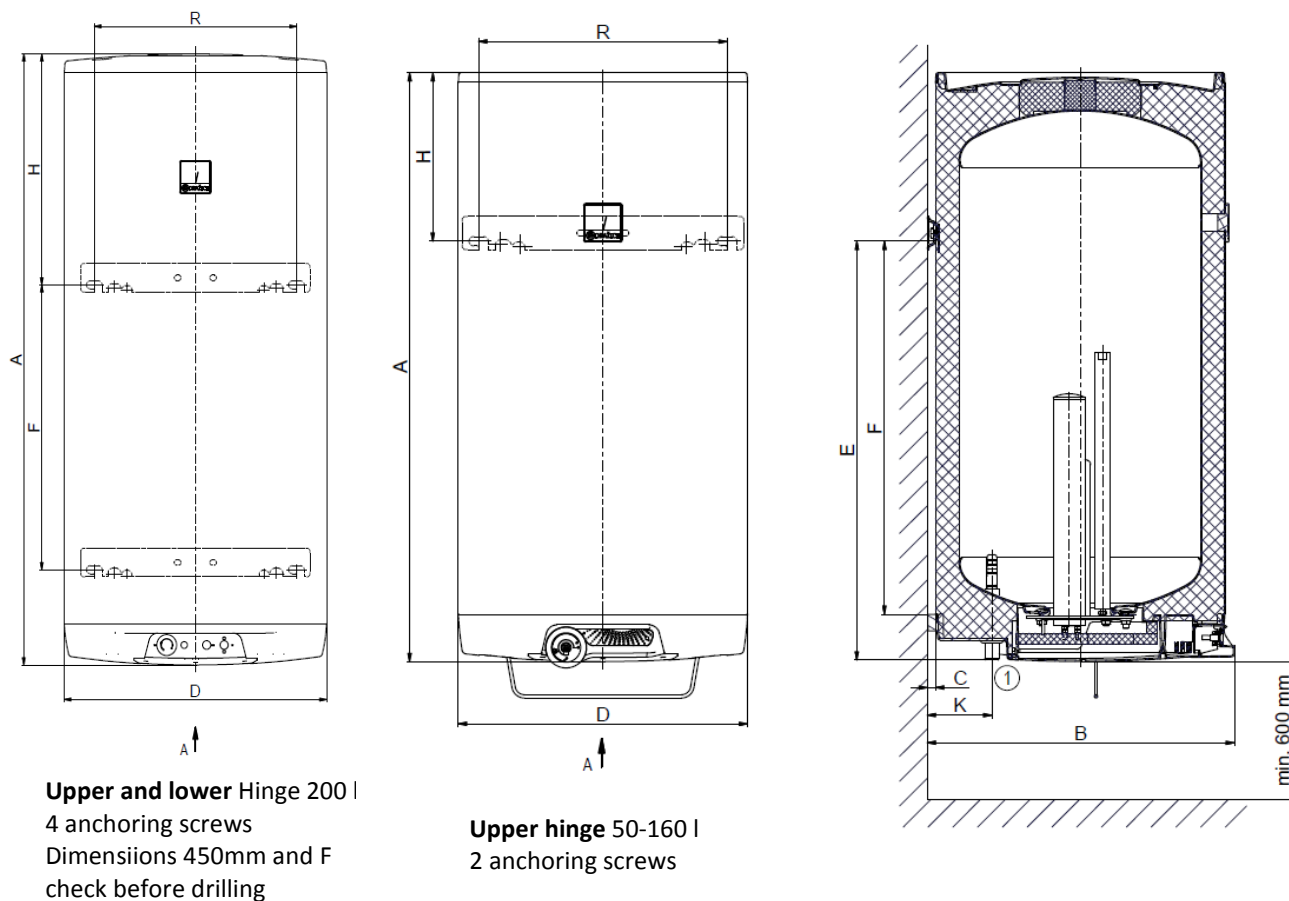


Figure 2

① 3/4" outer

	OKCE 50	OKCE 80	OKCE 100	OKCE 125	OKCE 160	OKCE 200
<b>A</b>	585	757	902	1067	1255	1290
<b>B</b>	562	562	562	562	562	600
<b>C</b>	14	14	14	14	14	14
<b>D</b>	524	524	524	524	524	584
<b>E</b>	440	605	725	760	1000	795
<b>F</b>	369	508	654	682	925	600
<b>H</b>	135	142	167	297	245	485
<b>K</b>	116	116	116	116	116	116
<b>R</b>	450	450	450	450	450	450

Table 2



Technical description: OKHE 80 – 160

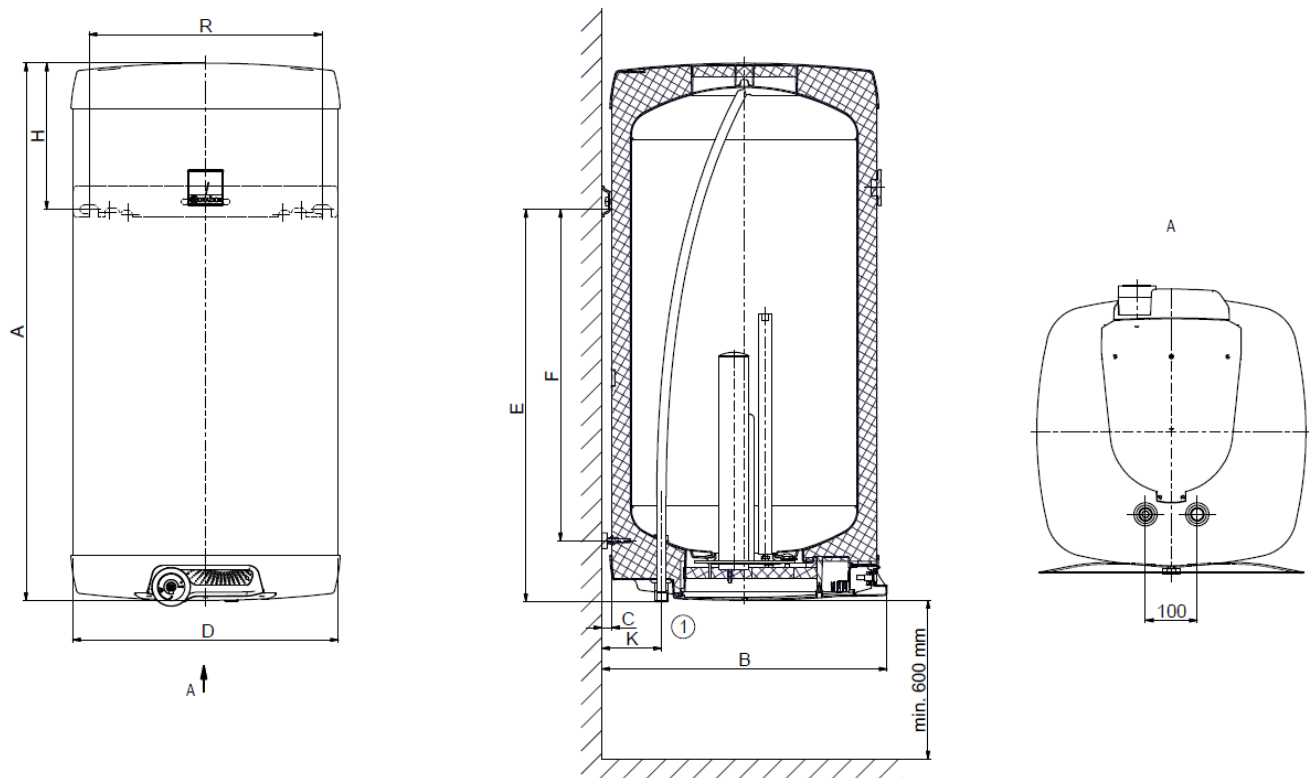


Figure 3

	OKHE 80	OKHE 100	OKHE 125	OKHE 160
<b>A</b>	740	885	1050	1235
<b>B</b>	550	550	550	550
<b>C</b>	19	19	19	19
<b>D</b>	520	520	520	520
<b>E</b>	582	727	757	1000
<b>F</b>	464	605	638	880
<b>H</b>	148	148	283	225
<b>K</b>	117	117	117	117
<b>R</b>	450	450	450	450

Table 3



## 2 OPERATION AND FITTING INSTRUCTIONS

### 2.1 OPERATING CONDITIONS



The tank shall only be used in accordance with the conditions specified on the power plate and in instructions for electric wiring. Besides legally acknowledged national regulations and standards, also conditions for connection defined in local electric and water works have to be adhered to, as well as the installation and operation manual.

The temperature at the place of heater installation must be higher than +2°C; and the room must not freeze. The appliance has to be mounted at a convenient place; it means that the appliance must be easily available for potential necessary maintenance, repair or replacement, as the case may be.



If water is strongly calcareous we recommend that any of the common decalcifying devices was installed with the appliance, or that the thermostat was set to the maximum operating temperature of 60°C (setting to position „ECO“) – Figure 12, Figure 13. For proper operation, drinkable water of adequate quality shall be used. To avoid potential sediments we recommend that the device was installed together with a water filter.

### 2.2 WALL MOUNTING



Prior to the mounting check the bearing capacity of the wall and the material it is made of, considering the weight of the heater filled with water. Depending on the wall material choose adequate fixtures.

Should you have any doubts regarding the wall bearing capacity, consult the suspension with a building specialist.

The minimum diameter of the bolts for suspending the heater is 12 mm. **When mounting the anchor bolts follow the guide provided by the anchor bolts' manufacturer.**

Mount the anchors by the dimensional drawing (Figure 5) in **450 mm** spacing. The heater verticality after the release of the connecting screws can be aligned by means of slight turning. Double check the torque of the suspension bolts on the heater and suspend the heater. Using the detent support in the bottom part of the heater make sure it runs in parallel with the wall at the heaters OKHE 80 - 160 !!



Figure 4

**ARENA**<sup>®</sup>  
**INSTALATIILOR**  
PROMPTITUDINE · CALITATE · PROFESIONALISM

## Universal suspension

The use of the suspension even for the screw spacing during the replacement with a heater of another type.  
**The heater verticality after the release of the connecting screws can be aligned by means of slight turning.**

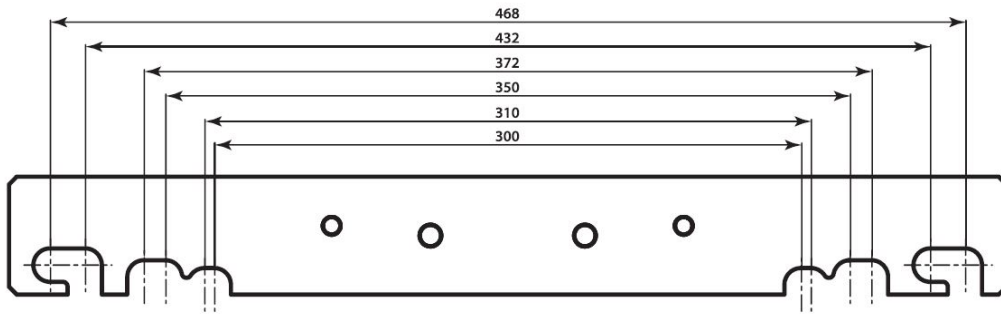


Figure 5



If the hot water heater is mounted in a **tight, small space**, or in an intermediate ceiling, etc., you have to make sure that the connecting side of the appliance (connections to water supply, area for electric plugging) remained accessible and no heat accumulation occurs. Free space of up to 500 mm from the bottom edge of the heater has to be available under the heater. When mounted directly under the ceiling, the distance from the ceiling has to be 50 mm at least.

If the water heater is mounted in enclosed areas, inter-ceilings, built-in structures and recesses, ensure sufficient access to service fittings, electrical terminal boards, anodes and manholes. Minimum spacing from manhole is 600 mm.

## 2.3 PLUMBING FIXTURE



Power water connects to pipes with  $\frac{3}{4}$ " thread in the bottom part of the heater. Blue - cold water supply, red – hot water outlet. For potential disconnection of the heater, the service water inlets and outlets must be provided with screw coupling Js  $\frac{3}{4}$ ". The safety valve is mounted on the cold water inlet identified with a blue ring.

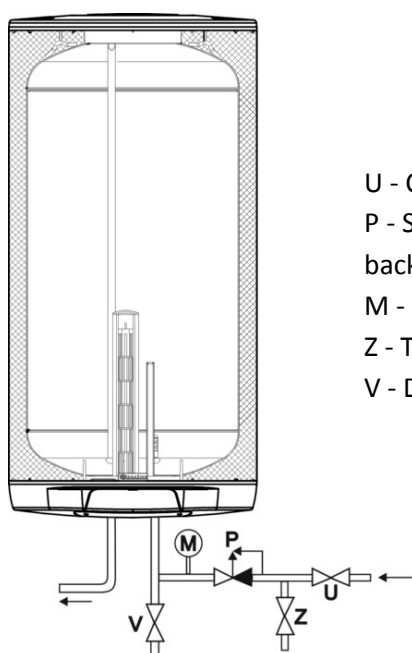


Each hot service water pressure heater must have a safety valve with a membrane spring. Nominal clearance of safety valves is defined by standard. Heaters are not equipped with a safety valve. The safety valve must be easily accessible, as close to the heater as possible. The inlet pipes must have at least the same clearance as the safety valve. Safety valve is placed high enough to secure dripping water drain by gravity. We recommend mounting the safety valve onto a branch pipe. This allows easier exchange without having to drain the water from the heater. Safety valves with fixed pressure settings from the manufacturer are used for the assembly. Starting pressure of a safety valve must be identical to the maximum allowed heater pressure, and at least 20 % higher than the maximum pressure in the water main (Table 4). If the water main pressure exceeds such value, a reduction valve must be added to the system. No stop valves can be put between the heater and the safety valve. During assembly, follow the guide provided by the safety equipment manufacturer. The cold water inlet of each individually closable heater must be fitted with a seal, test tap or plug to check the non-return valve, as well as a non-return valve and safety valve. Heaters with a volume of more than 200 litres must also be fitted with a pressure gauge.



It is necessary to check the safety valve each time before putting it into operation. It is checked by manual moving of the membrane from the seat, turning the make-and-break device button always in the direction of the arrow. After being turned, the button must click back into a notch. Proper function of the make-and-break device results in water draining through the safety valve outlet pipe. In common operation, such a check needs to be implemented at least once a month, and after each heater shutdown for more than 5 days. Water may be dripping off the drain pipe of the safety valve; the pipe must be open into the air, pointed down; environment temperatures must not drop below zero. When draining the heater, use the recommended drain valve. First, close the water supply into the heater.

Find necessary pressure values in the below Table 4. For proper safety valve operation, a backflow valve (Figure 6) must be mounted on the inlet pipes, preventing spontaneous heater draining and hot water penetrating back into the water main. We recommend that the hot water distribution from the heater was as short as possible to minimise heat losses. At least one demountable joint must be mounted between the tank and every supply pipe. Adequate piping and fittings with sufficiently dimensioned maximum temperature and pressure values must be used.



- U - Closure
- P - Safety valve with backflow flap
- M - Manometer
- Z - Test valve
- V - Drain valve

SAFETY VALVE START-UP PRESSURE [MPa]	ALLOWABLE OPERATING OVERPRESSURE OF WATER HEATER [MPa]	MAXIMUM PRESSURE IN COLD WATER PIPES [MPa]
0.6	0.6	up to 0.48
0.7	0.7	up to 0.56
1	1	up to 0.8

Table 4

Heaters must be provided with a discharge valve mounted on the cold service water inlet to the heater for potential disassembly or repair. **When assembling the security equipment, follow the standard.**

Figure 6

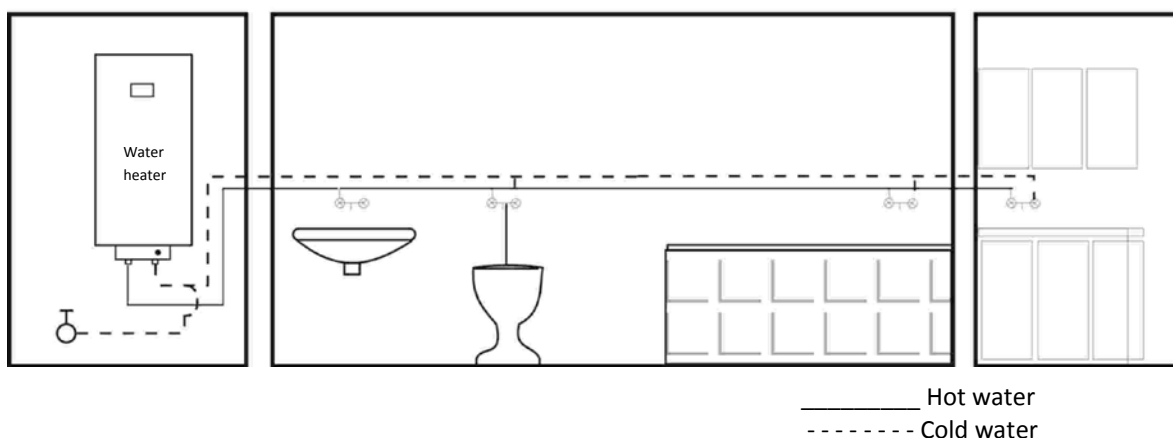


Figure 7

## 2.4 ELECTRICAL INSTALLATION

### 2.4.1 GENERAL INFORMATION FOR ELECTRICAL INSTALLATION

Perform the connection according to the scheme. Factory connection must not be changed! (Figure 9) the electric wiring casing remove the partition corresponding with the input wire diameter of  $\phi 8$  nebo  $\phi 10$  (Figure 8). The degree of protection of electric parts of the heater is IP 44. Power input of electric element is 2200 W.

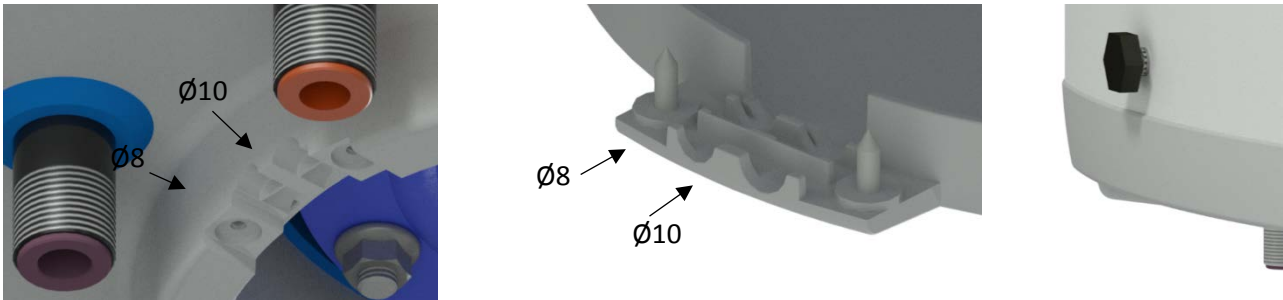


Figure 8

It is necessary to observe the below requirements during the electric wiring.



The electric wiring scheme is attached to the water heater on the side of the electric installation guard (Figure 9)

- Connection, repairs, and wiring inspections may only be implemented by a company (person) authorised to such activity.
- Expert connection must be confirmed on the warranty certificate.
- The heater is connected to the 230 V/50 Hz electrical network using a fixed moving conductor with a switch that turns off all network poles and the circuit breaker (protector).
- Installations in bathrooms, laundry rooms, rest rooms and showers, must be in compliance with standard.
- The degree of protection of electric parts of the heater is IP 44.
- Adhere to the protection against electric shock injury according to standard.

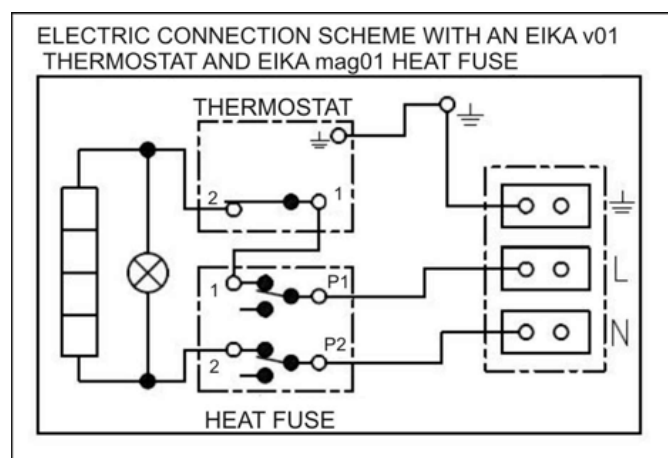


Figure 9

## 2.5 OPERATING ACTIVITY

After the heater is connected to electric network, the heating element starts heating water. The element is turned on and off by a thermostat. After reaching the temperature set, the thermostat switches off the electric circuit and discontinues water heating. The control light signals if the element is in operation (light is on) or if it is off (the light goes out). In case of longer operation without using the heated volume, the thermostat has to be set to position 5°C to 8°C (set the “snowflake” symbol on the thermostat selector) to avoid its freezing, or electricity supply to the heater has to be switched off.

## 2.6 FIRST COMMISSIONING



Before opening the power supply, the tank must be filled with water. The process of first heating must be executed by licensed professional who has to check it. Both the hot water outlet pipe and safety armature parts may be hot.



During the heating process the pressurised connection water that increases its volume due to heating must drip off the safety valve. In non-pressurised connection water drips off the overflow combination faucet. When heating is finished, the set temperature and the actual temperature of consumed water should be roughly equal. After connecting the heater to the water main and electrical power system, and after checking the safety valve (following the instructions attached to the valve), the heater can be put into operation.

Before first putting into service or after a longer shutdown the appliance has to be rinsed out and flushed yet before heating is activated. Before heating starts, the tank must be completely filled with water and the system properly flushed and vented. First heating of the tank has to be watched.

### **Procedure of putting the heater into operation:**

1. Check the water main and wiring. Check proper placement of operating and safety thermostat sensors. The sensors must be inserted all the way in; first the operating and then the safety thermostat.
2. Open the hot water valve on the combination faucet.
3. Open the cold water inlet valve to the heater.
4. As soon as the water starts running through the hot water valve, the heater is filled and the valve can be closed.
5. In case of leakage (of flange lid), we recommend that the flange lid bolts are fastened.
6. Screw down the electric installation guard.
7. When hot service water is heated by electric energy, switch on the power supply.
8. When commencing operation, flush the heater until the cloudiness in the water is gone.
9. Make sure to fill in properly the warranty certificate.

## 2.7 PUTTING OUT OF SERVICE, DISCHARGE



If the hot water heater is put out of service for a longer time, or if it is not going to be used it has to be drained and disconnected from the electric supply network on all poles. The switch for the supply lead or the fuse cut-outs have to be shut off.

At places with permanent risk of frost the hot water heater must be drained before the cold season starts if the appliance remains out of service for several days and if the power supply is disconnected.



Drainage of service water shall be performed after closing the shut-off valve in the cold water supply piping (through the discharge valve for safety valve combination), and with simultaneous opening of all hot water valves of connected fittings (water can be also drained through safety valve; for that purpose, the safety valve is turned to the "Check" position). **Hot water may outflow during the drainage!** If there is a risk of frost it has to be considered that not only the water in the hot water heater and in the hot water piping may get frozen but also the water in the entire cold water supply piping. It is therefore advisable to drain all fittings and piping that carry water, up to the part where the house water meter is installed (connection of the house to water main) which is not jeopardised by frost. When the tank is to be used again, it has to be filled with water and one needs to make sure that the water flowing out at the **hot water valves did not contain any bubbles.**

## 2.8 INSPECTION, MAINTENANCE & CARE FOR THE APPLIANCE



During the heating process the water that increases its volume during the heating must visibly drip off the safety valve outlet (in non-pressurised connection this water drips off the combination faucet valve). In full heating (about 74°C) the volumetric water gain is approx. 3.5 % of the tank capacity. The function of the safety valve has to be checked regularly. If the safety valve control knob is lifted or turned to the "Control" position, the water must flow out easily, without any obstacles, from the safety valve element to the outfall line. In common operation, such a check needs to be implemented at least once a month, and after each heater shutdown for more than 5 days.

**Caution!** In doing so, the cold water supply pipe and the connection fitting of the tank may get heated! If the hot water heater does not work, or if hot water is not withdrawn, no water shall drip off the safety valve. If water drips, then the water pressure in the supply piping is either too high (if higher than 5.5 bars, a pressure control valve has to be fitted), or the safety valve is defective. Please call a specialised plumber immediately!



If water contains too many minerals, an expert has to come to remove the scale that forms inside the tank, as well as free sediments. This has to be performed after one or two years of operation. The cleaning is carried out through the hole in the flange – dismantle the flange lid and clean the tank. A new sealing has to be used for re-fitting. Since the inside of the heater has special enamel, which must not get in contact with the scale removing agent – do not work with a lime pump. Remove the lime layer with a timber and suck it off, or wipe it off with a clout. After that, the appliance must be rinsed thoroughly and the heating process is checked the same as during the initial putting in operation. Do not use any abrasive cleaning agents (such as liquid sand, chemicals - acid, alkaline) or dye thinners (such as cellulose thinner, trichlor, and the like) to clean the outer shell of the heater. For cleaning use a wet clout and add a few drops of liquid cleaning agent for household applications. Repeated heating causes lime scale settling on the receptacle walls and mostly on the lid of the flange. Lime scale settling depends on hardness of heated water, its temperature and on the volume of hot water used.

**We recommend checking and cleaning the tank from scale and eventual replacement of the anode rod after two years of operation.** The anode life is theoretically calculated for two years of operation; however, it changes with water hardness and chemical composition in the place of use. Based on such an inspection, the next term of anode rod exchange may be determined. If the anode is only blocked with sediments clean its surface and, if used up, mount a new one. Have a company in charge of service affairs deal with the cleaning and exchanging of the anode. When draining water from the heater, the combination faucet valve for hot water must be open, preventing occurrence of under-pressure in the heater tank which would stop water from draining.

## 2.9 MOST FREQUENT FUNCTION FAILURES AND THEIR CAUSES

FAILURE SYMPTOM	INDICATOR	SOLUTION
<b>Water is cold</b>	<ul style="list-style-type: none"> <li>• Light on</li> </ul>	<ul style="list-style-type: none"> <li>• The temperature set on the thermostat is too low;</li> <li>• heating element failure</li> </ul>
<b>Water is cold</b>	<ul style="list-style-type: none"> <li>• Light off</li> </ul>	<ul style="list-style-type: none"> <li>• No supply voltage!</li> <li>• Thermostat failure</li> <li>• Safety thermostat shut off probably due to failed operation thermostat</li> </ul>
<b>Water is not warm enough</b>	<ul style="list-style-type: none"> <li>• Light on</li> </ul>	<ul style="list-style-type: none"> <li>• Failure of one of the coils in the element (2x 1100W)</li> </ul>
<b>Temperature of water is not corresponding with the temperature set on the control</b>		<ul style="list-style-type: none"> <li>• Defective thermostat</li> </ul>
<b>Water is constantly dripping off the safety valve</b>	<ul style="list-style-type: none"> <li>• Light off</li> </ul>	<ul style="list-style-type: none"> <li>• high input pressure</li> <li>• defective safety valve</li> </ul>

**Table 5**



Do not attempt to repair the failure yourselves. Seek either expert or service help. It does not take much for an expert to remove the defect. When making a repair appointment, report the type and serial number you find on the performance plate of your water heater.

# 3 OPERATION OF THERMOSTAT

## 3.1 OPERATING DEVICES OF THE HEATER

Electrical installation cover for heaters OKCE 200

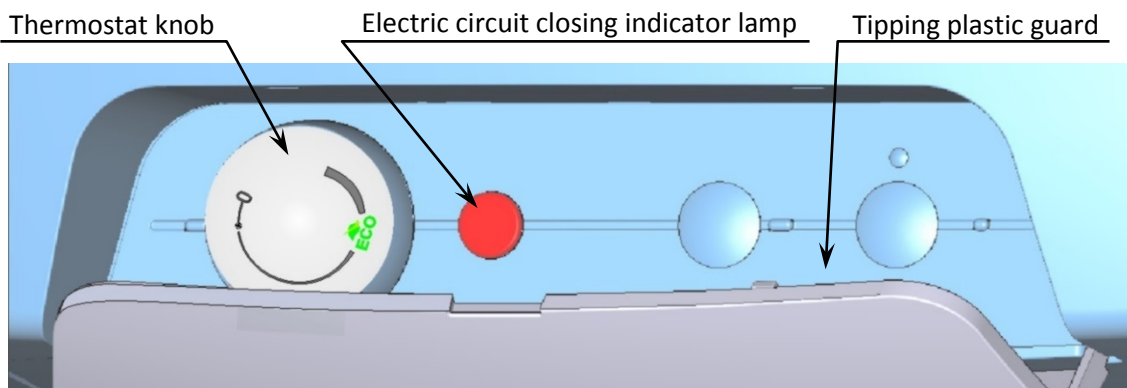


Figure 10

Electrical installation covers for heaters OKCE 50, OKCE 80, OKCE 100, OKCE 125, OKCE 160 and OKHE 80, OKHE 100, OKHE 125, OKHE 160

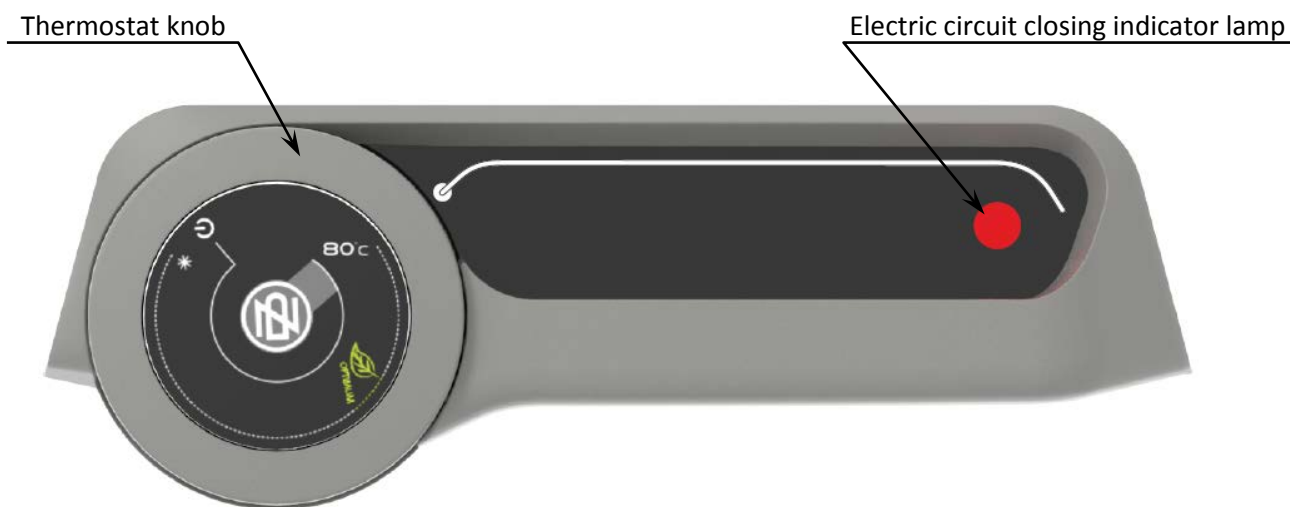


Figure 11



Thermostat and no other part of the control panel is not a bearing part which can be used for any handling with the heater.



### 3.1.1 TEMPERATURE SETTING

Water temperature is set by turning the thermostat knob. The desired symbol is adjusted against the fixed point on the control panel (Figure 12, Figure 13).

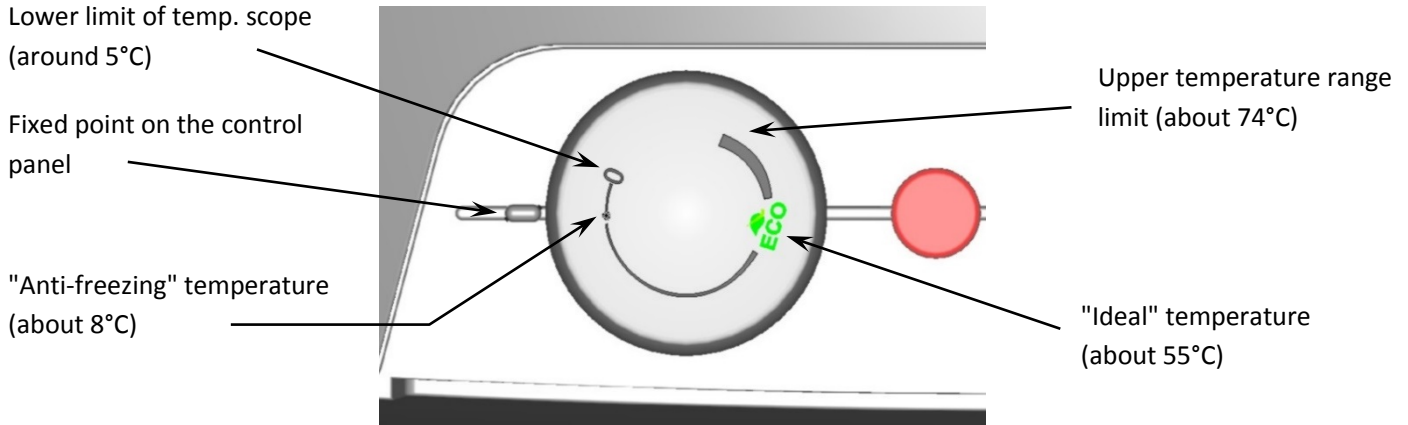


Figure 12



Figure 13



Adjusting the thermostat knob to the left backstop does not mean permanent shutoff of the heating element. When the heater is in use without blocking the daily rate, we do not recommend the temperature to be set above 55°C. Select the "OPTIMUM" symbol as the maximum.



## 4 IMPORTANT NOTICES

### 4.1 INSTALLATION REGULATIONS

- **Without a confirmation of performed electrical installation issued by an authorised company, the warranty certificate shall be void.**
- Check and exchange the Mg anode regularly.
- You have to apply for approval of a local power supplier to connect the heater.
- **No stop valves can be put between the heater and the safety valve.**
- If the overpressure in the water main exceeds 0.48 MPa, a pressure control valve must be mounted before the safety valve.
- All hot water outputs must have a combination faucet.
- Before filling the heater with water for the first time, it is recommended to fasten the flange connection nuts of the tank.
- It is not allowed to handle the thermostat, aside from temperature resetting with a control button.
- All electric installation handling, adjustment and replacement of the regulation elements shall only be performed by an authorised service company.
- **The thermal fuse must not be turned off!** In case of thermostat defect, the thermal fuse interrupts electric power input to the heating element if the water temperature in the heater exceeds 90 °C.
- If you don't use the heater (hot water tank) for longer than 24 hours, or if the facility with heater is unattended, close the cold water inlet to the heater.
- The heater (hot water tank) shall be used exclusively in accordance with the conditions specified on the performance plate and in the instructions for electric wiring.
- The recommended operating pressure in the hot water circuit is 0.4 MPa. At the hot water discharge we recommend that a reverse flap and an expansion tank are installed (at least 4% of hot water volume in the manifold) to eliminate reverse pressure shocks.



**Both the electric and water installation must follow and meet the requirements and regulations relevant in the country of use!**

### 4.2 TRANSPORT & STORAGE INSTRUCTIONS

The device shall be transported and stored in dry place and protected from weather effects with temperature range from -15 to +50°C. During loading and unloading the instructions stated on the packaging shall be observed.



## 4.3 DISPOSAL OF PACKAGING MATERIAL AND NON-FUNCTIONING PRODUCT

A service fee for providing return and recovery of packaging material has been paid for the packaging in which the product was delivered. The service fee was paid pursuant to Act No 477/2001 Coll., as amended, at EKO-KOM a.s. The client number of the company is F06020274. Take the water boiler packages to a waste disposal place determined by the town. When the operation terminates, disassemble and transport the discarded and unserviceable heater to a waste recycling centre (collecting yard), or contact the manufacturer.



## 5 PRODUCT ACCESSORIES

The product is supplied with a safety valve, temperature indicator, rectifying (delimiting) screw M8, fan mat  $\phi$  8.4 – 2pcs, nuts M8. The above parts are packed and placed in the packaging in the top part of the heater.

**It is in your own interest to check the completeness of the accessories.**

14-4-2017

**ARENA<sup>®</sup>**  
**INSTALATIILOR**  
PROMPTITUDINE · CALITATE · PROFESIONALISM