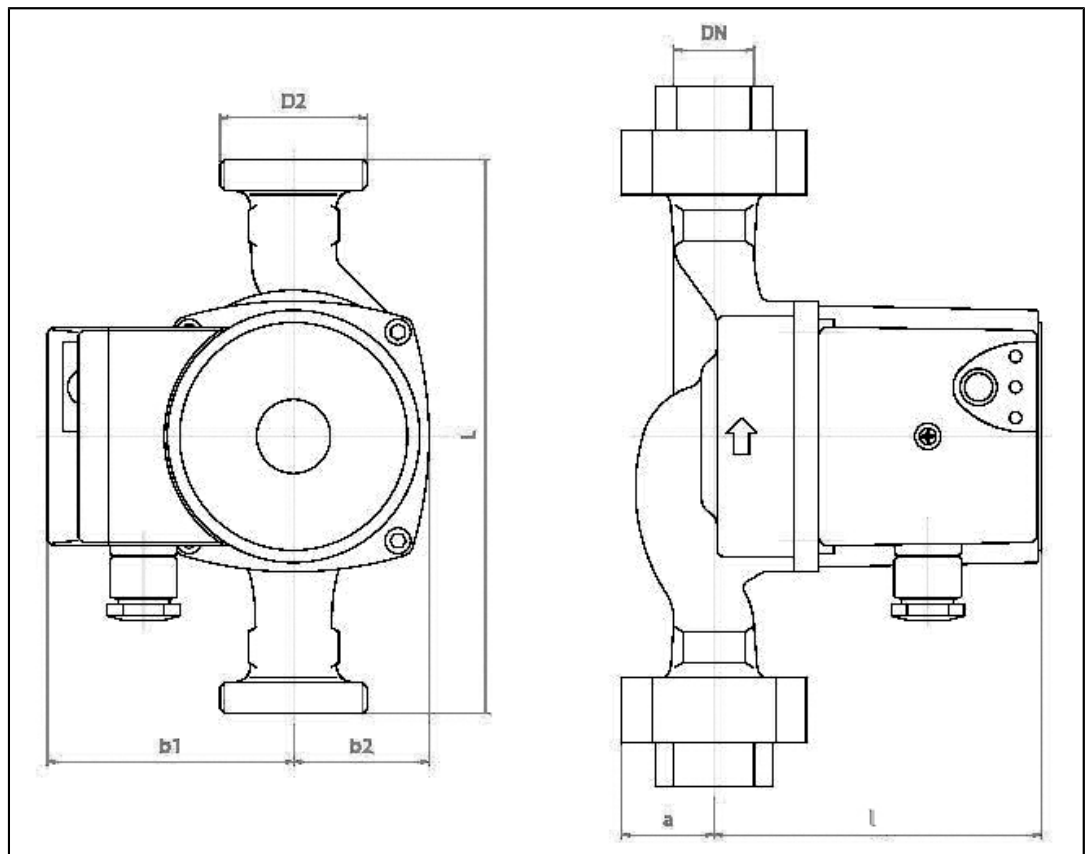
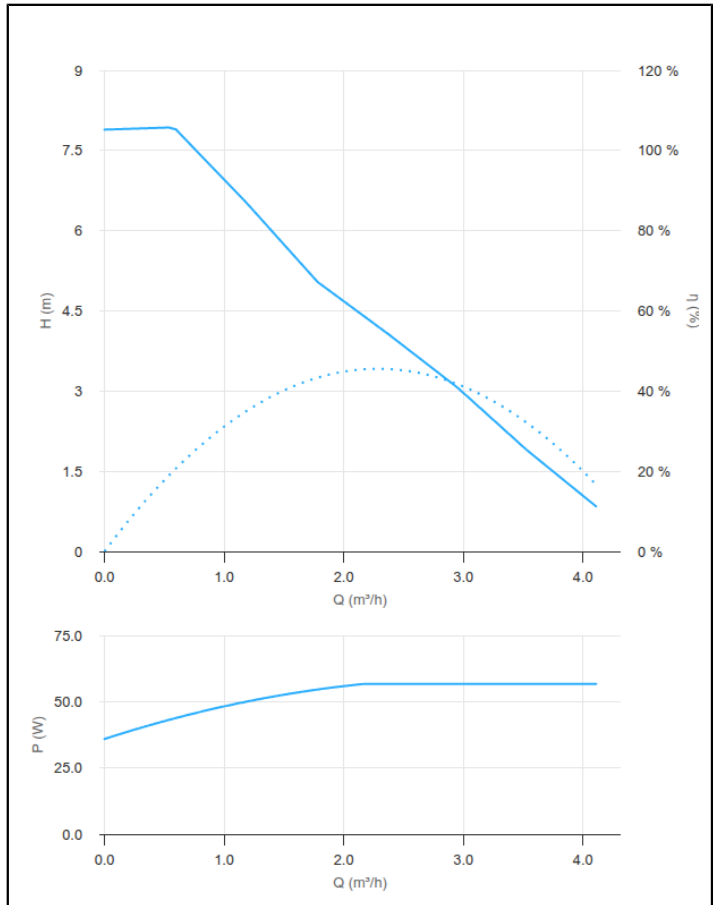
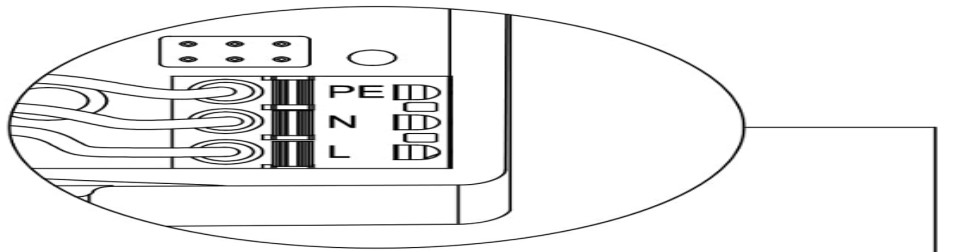




General data	
Title	<a href="#">NMT PLUS 32/80-180</a>
Code	979523857
EAN13	3831008373226
Technical data	
Flow max	3,46 m <sup>3</sup> /h
Head max	7,66 m
Port-to-port length	180 mm
Pipe connection	DN 32
Ambient temp. range	0 ÷ 40 °C
Medium temp.	-10 ÷ 110 °C
Pressure rating of the pipe connection	PN10
Electrical data	
Supply voltage	1~230 V
Mains frequency	50 Hz
Connection power	56 W
Max revolutions	4800 RPM
Current max	0,5 A
Materials and installation	
Seal type	
Bearing	Ceramics
Impeller	Noryl 1630V
Hydraulics	Cast iron
Shaft	Ceramics
Pipeline material	0
Net weight	2.49 kg



L=180 DN=32 b1=80 b2=48 l=108 a=40 D2=2



NMT PLUS

